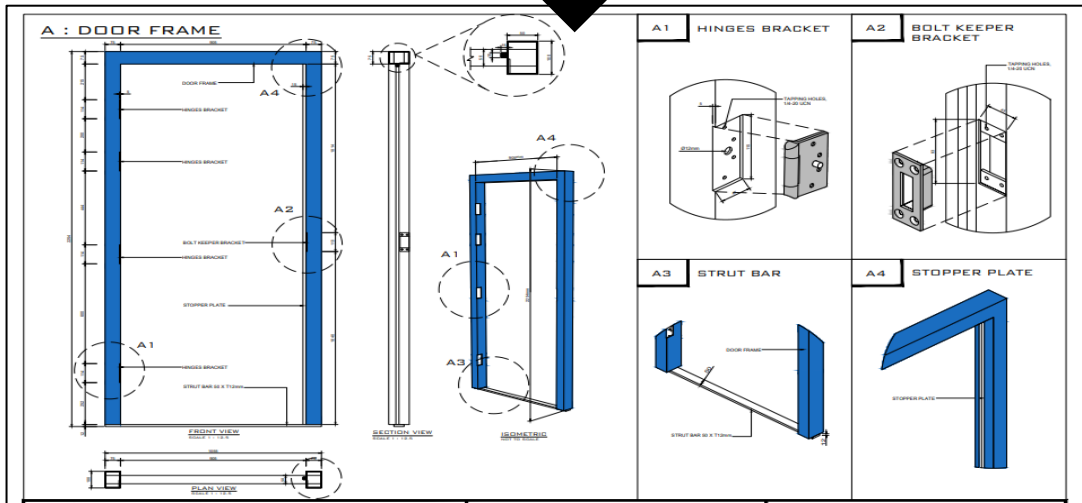
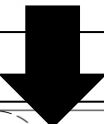
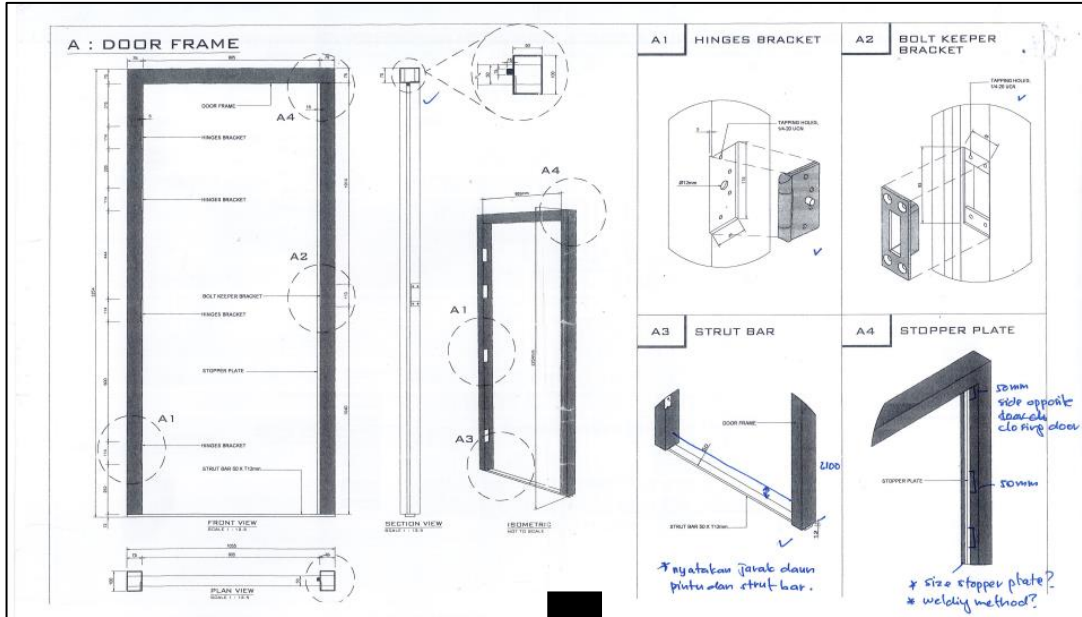
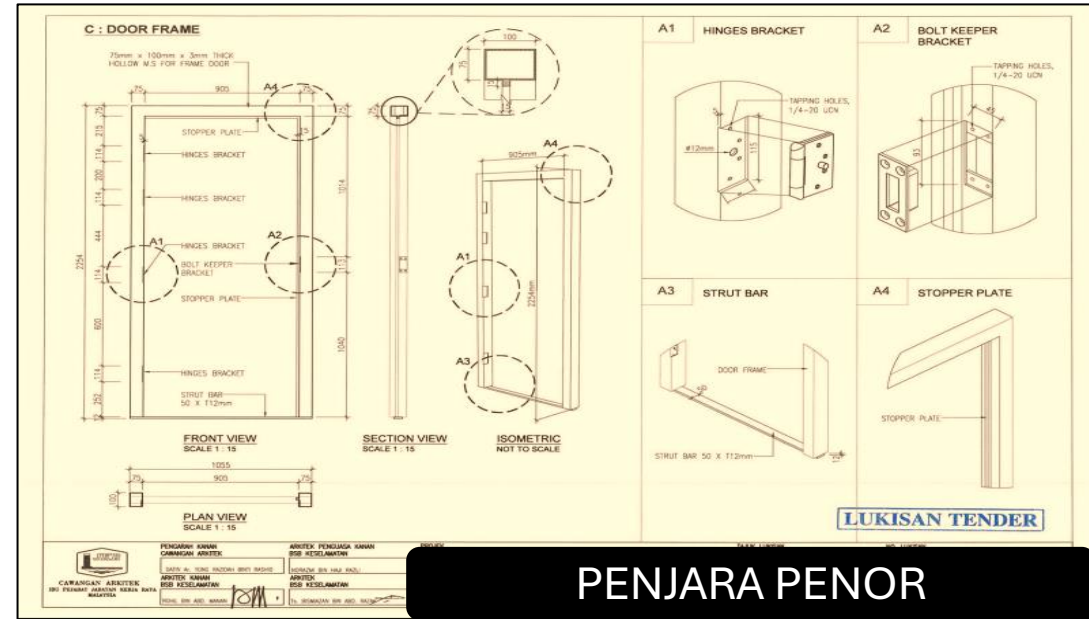


EBSB DRAWING

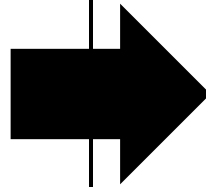
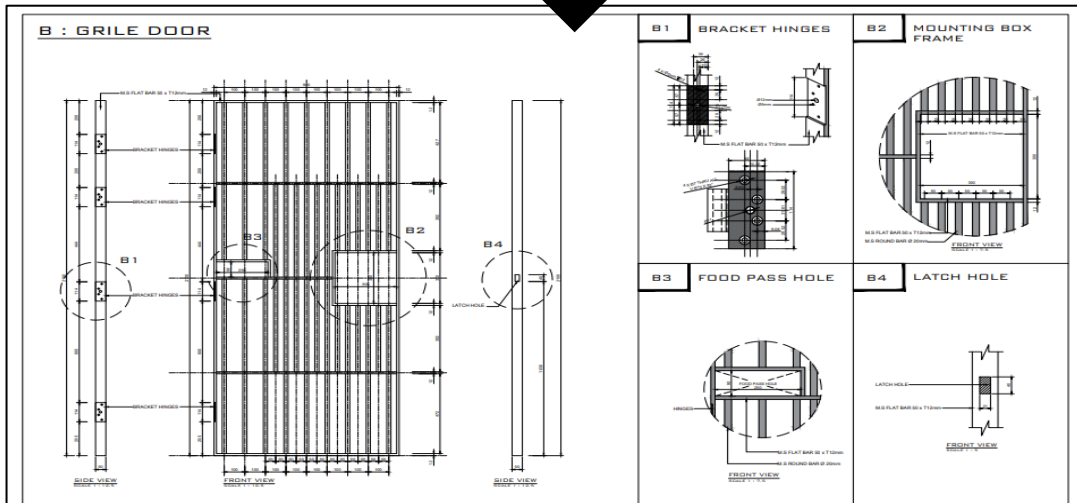
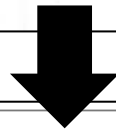
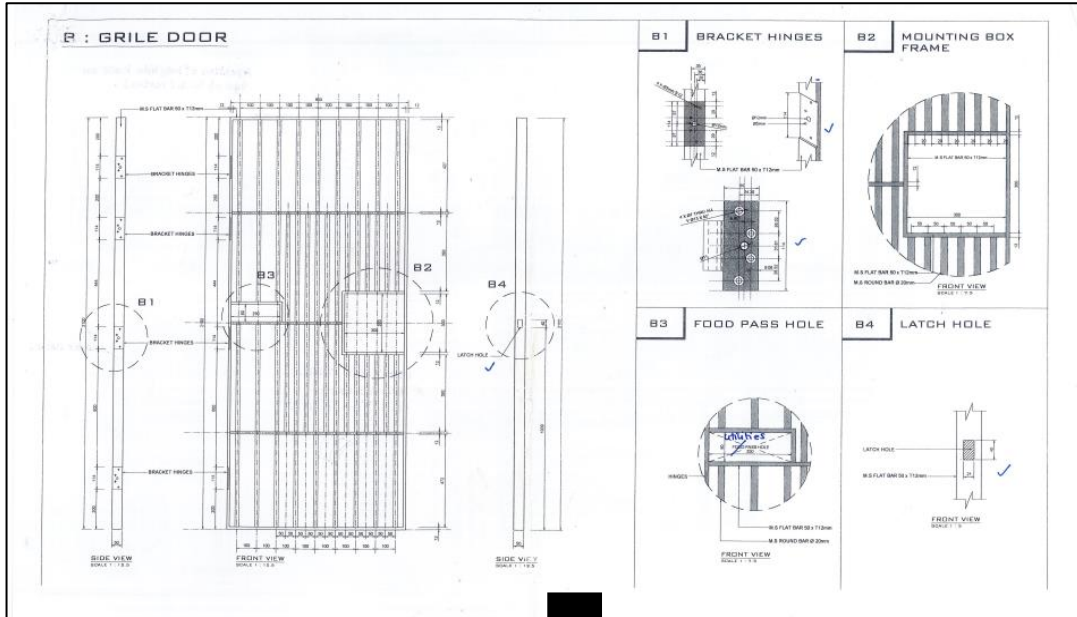


JKR TENDER DRAWING

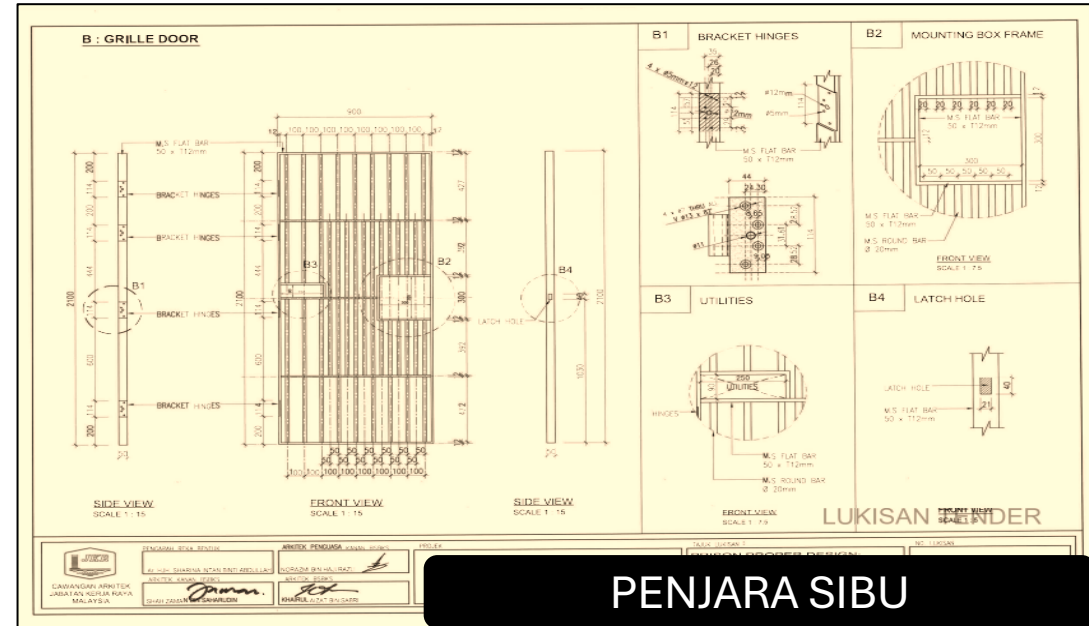


PENJARA PENOR

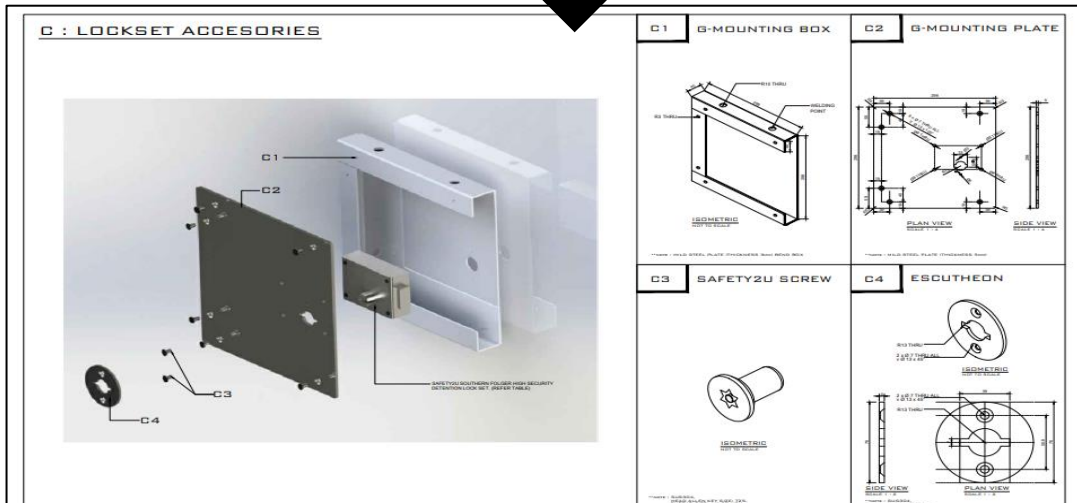
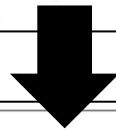
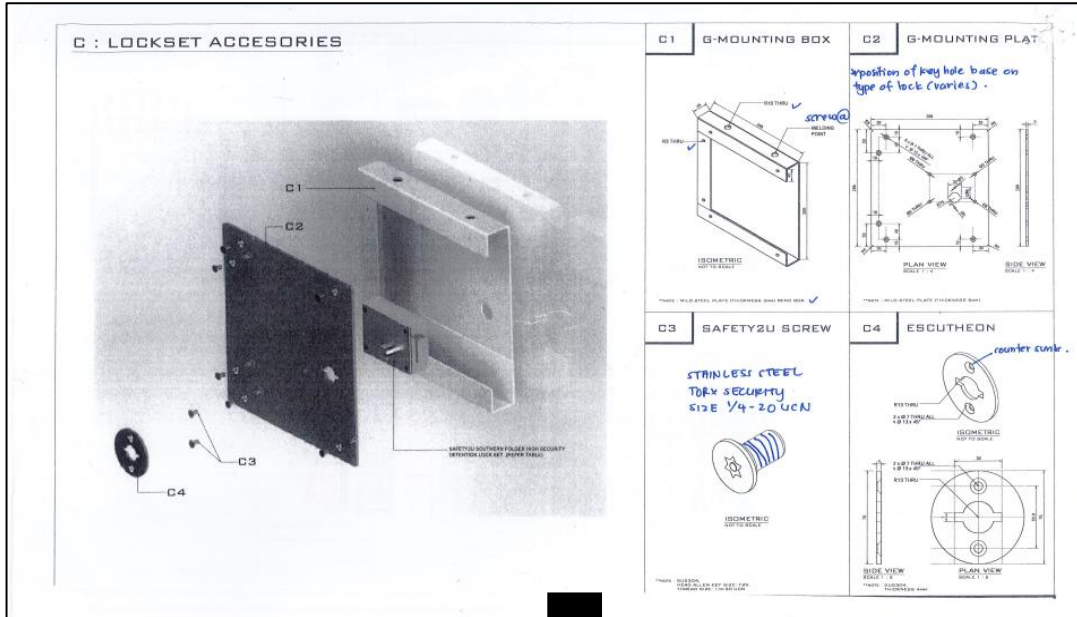
EBSB DRAWING



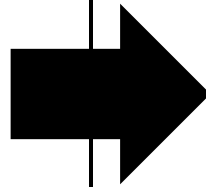
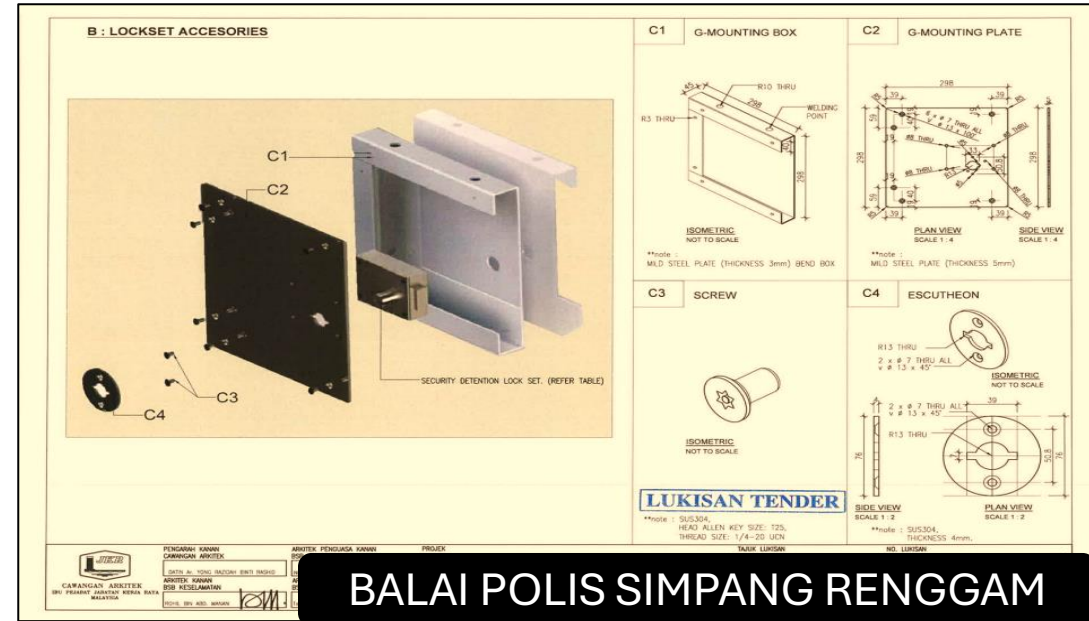
JKR TENDER DRAWING



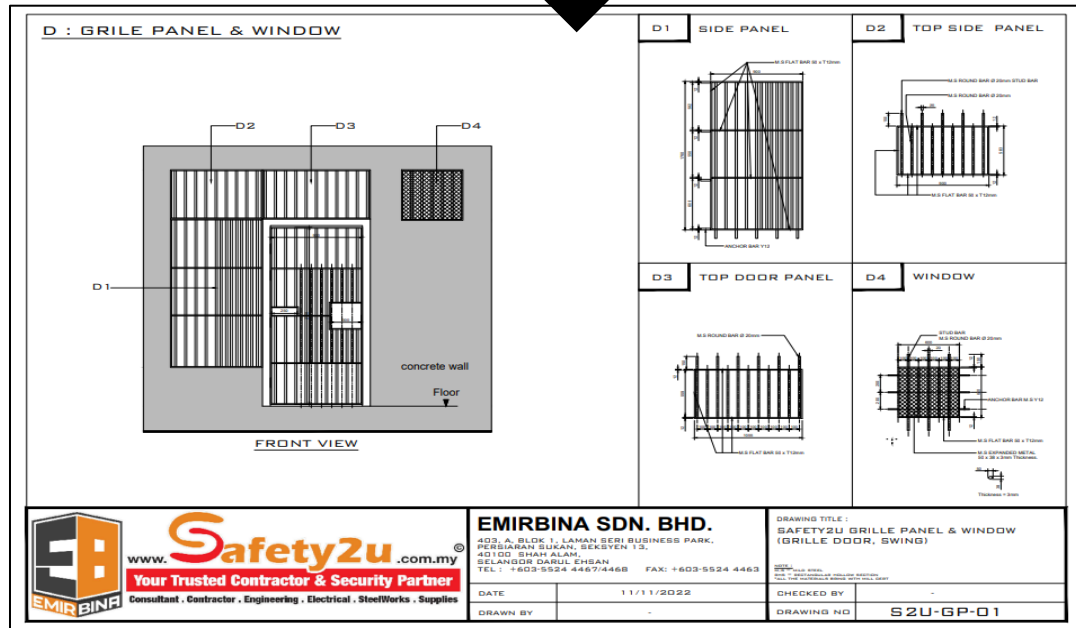
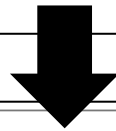
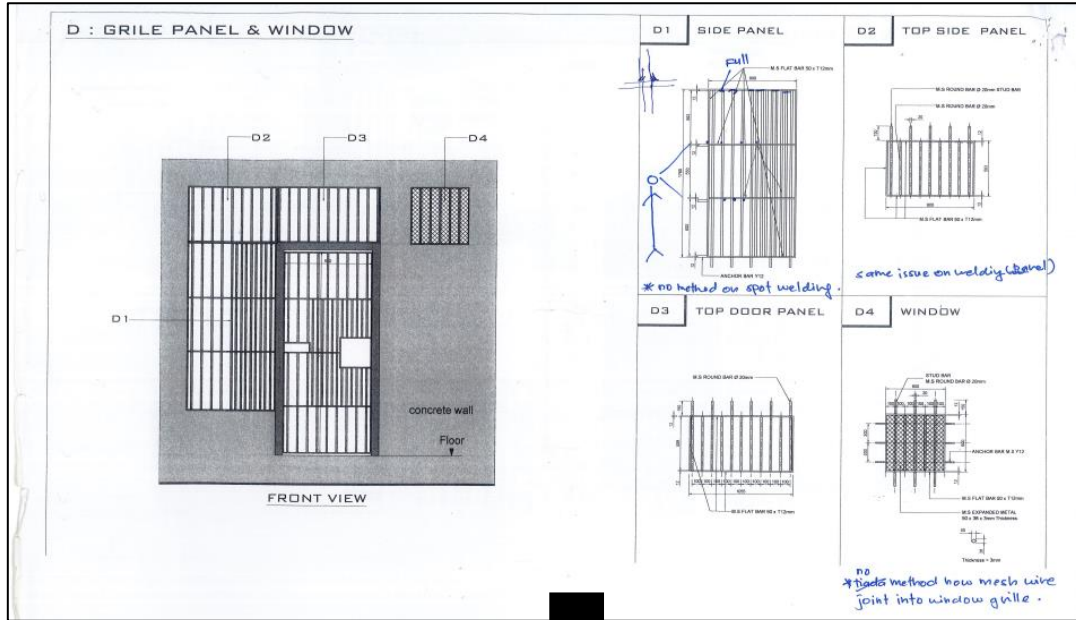
EBSB DRAWING



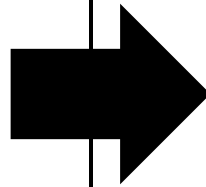
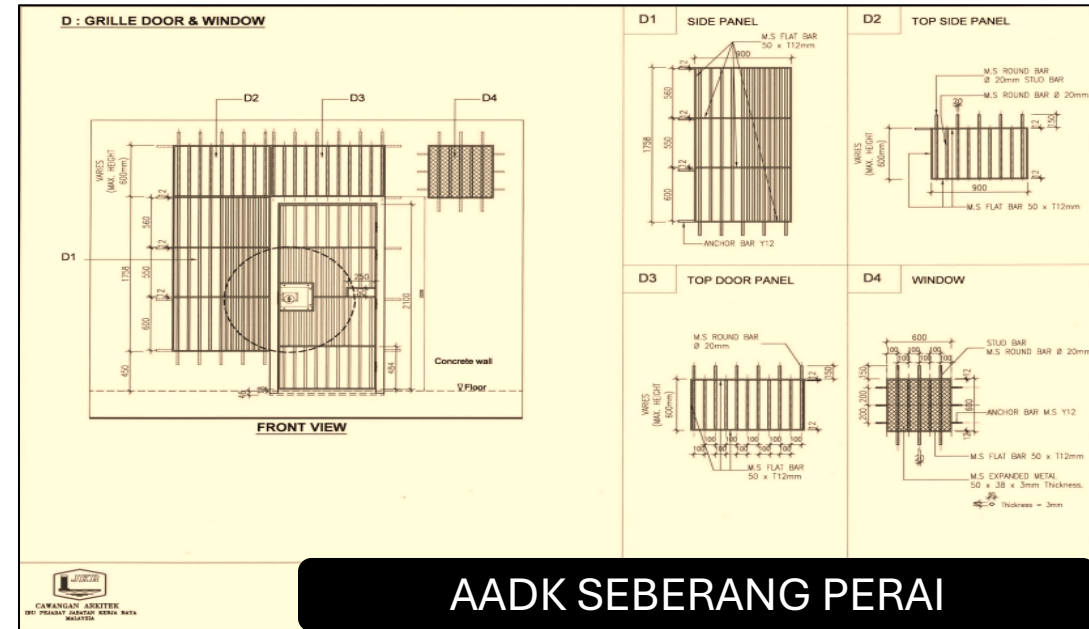
JKR TENDER DRAWING



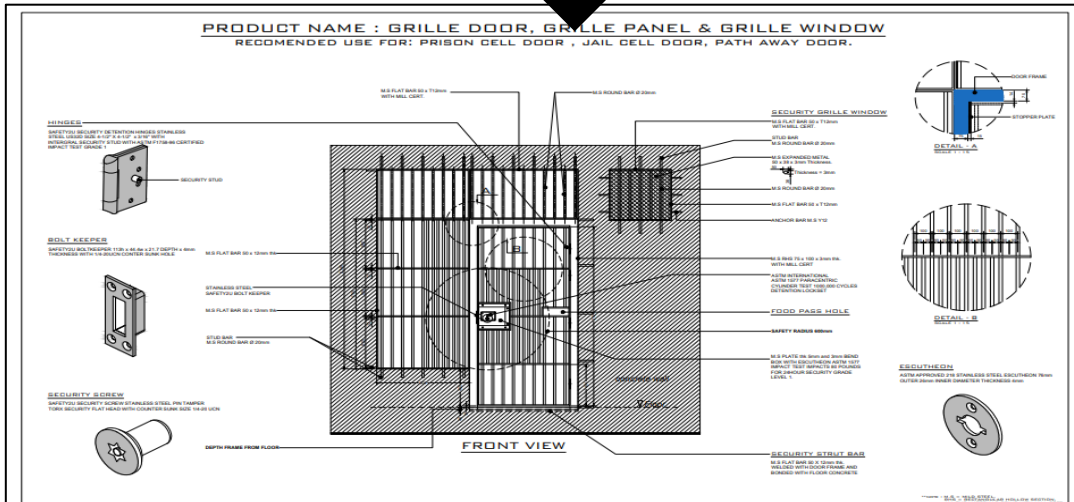
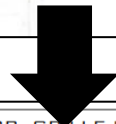
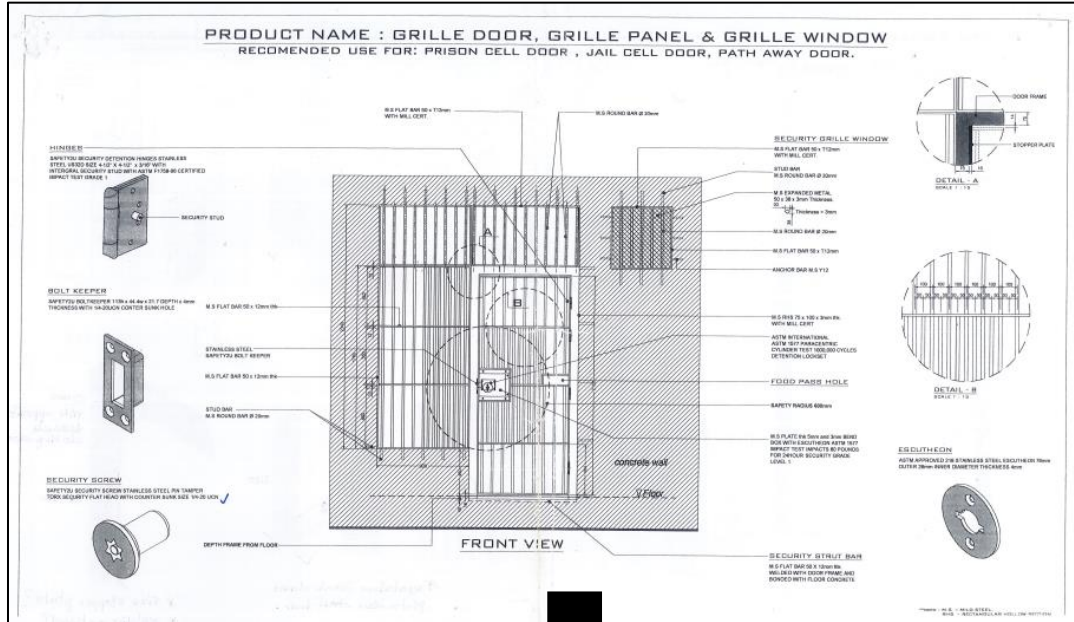
EBSB DRAWING



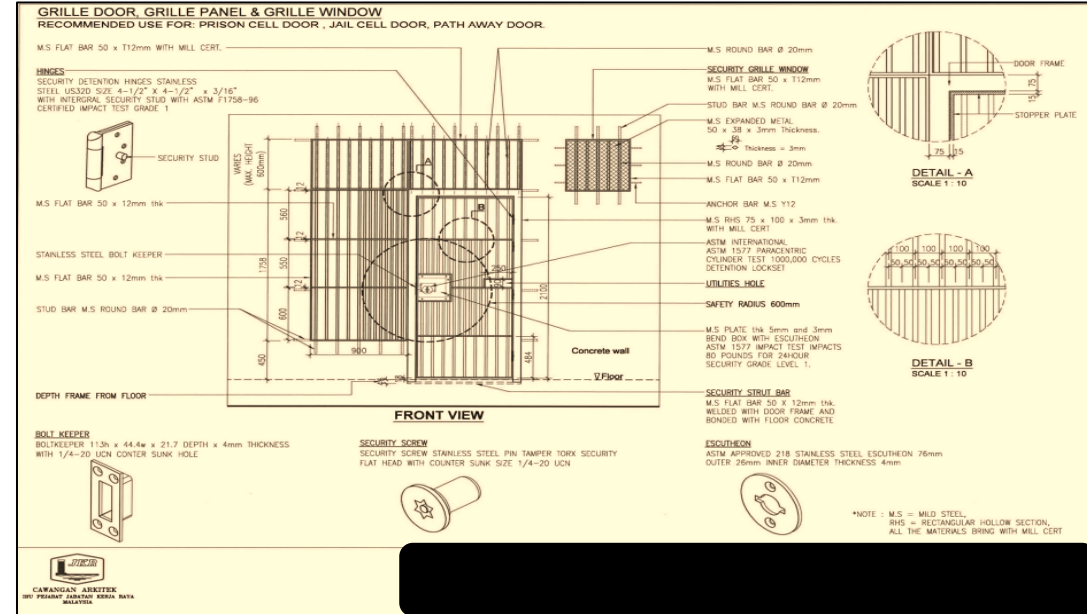
JKR TENDER DRAWING



EBSB DRAWING



JKR TENDER DRAWING



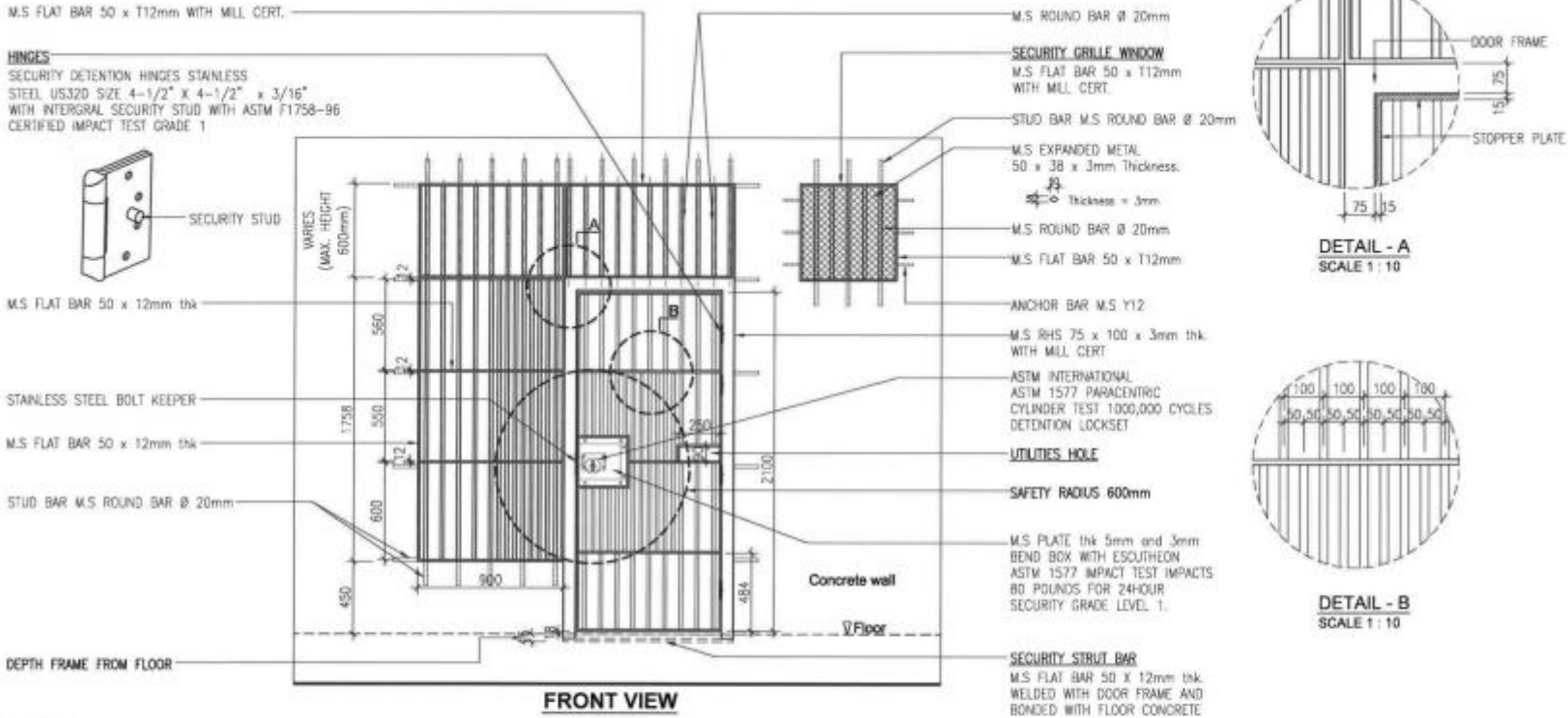
EMIRBINA SDN. BHD.
 403, A, BLOK 1, LAMAN BEBI BUSINESS PARK,
 PERSIARAN SUKAN, BEKAYEN 13,
 40100 SHAH ALAM,
 SELANGOR DARUL EHSAN
 TEL : +603-5524 4467/4468 FAX : +603-5524 4463

DRAWING TITLE :
**SAFETY2U STANDARD GENERAL
 ARRANGEMENT SECURITY GRILLE DOOR,
 PANEL & WINDOW**

DATE : 8/1/2022
 DRAWN BY :
 CHECKED BY :
 DRAWING NO : **S2U-GD-A001**

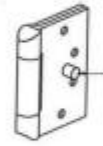
**TENDER DRAWING
PENJARA SIBU**

GRILLE DOOR, GRILLE PANEL & GRILLE WINDOW
RECOMMENDED USE FOR: PRISON CELL DOOR, JAIL CELL DOOR, PATH AWAY DOOR.



M.S. FLAT BAR 50 x 112mm WITH MILL CERT.

HINGES
 SECURITY DETENTION HINGES STAINLESS
 STEEL, US32D SIZE 4-1/2" x 4-1/2" x 3/16"
 WITH INTEGRAL SECURITY STUD WITH ASTM F1758-96
 CERTIFIED IMPACT TEST GRADE 1



SECURITY STUD

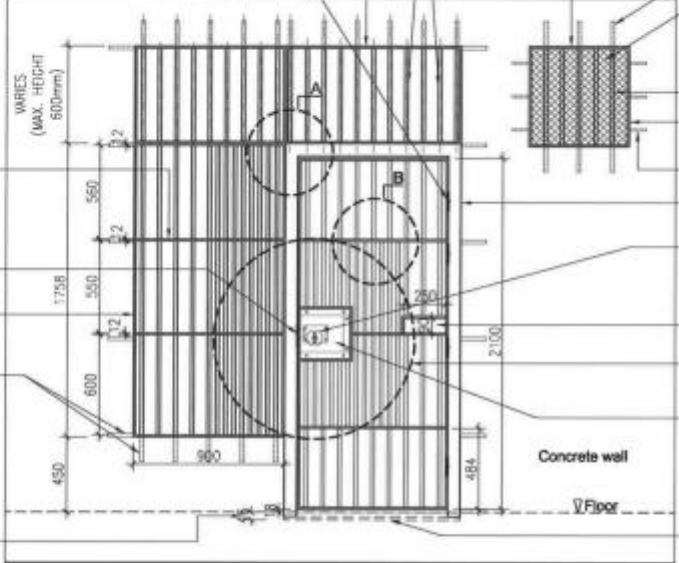
M.S. FLAT BAR 50 x 12mm thk

STAINLESS STEEL BOLT KEEPER

M.S. FLAT BAR 50 x 12mm thk

STUD BAR M.S. ROUND BAR Ø 20mm

DEPTH FRAME FROM FLOOR



M.S. ROUND BAR Ø 20mm

SECURITY GRILLE WINDOW
 M.S. FLAT BAR 50 x 112mm
 WITH MILL CERT.

STUD BAR M.S. ROUND BAR Ø 20mm

M.S. EXPANDED METAL
 50 x 38 x 3mm Thickness.
 Thickness = 3mm

M.S. ROUND BAR Ø 20mm

M.S. FLAT BAR 50 x 112mm

ANCHOR BAR M.S. Y12

M.S. RHS 75 x 100 x 3mm thk.
 WITH MILL CERT

ASTM INTERNATIONAL
 ASTM 1577 PARACENTRIC
 CYLINDER TEST 1000,000 CYCLES
 DETENTION LOCKSET

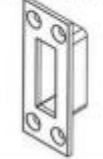
UTILITIES HOLE

SAFETY RADIUS 600mm

M.S. PLATE thk 5mm and 3mm
 BEND BOX WITH ESCOUTHEON
 ASTM 1577 IMPACT TEST IMPACTS
 80 POUNDS FOR 24-HOUR
 SECURITY GRADE LEVEL 1.

SECURITY STRUT BAR
 M.S. FLAT BAR 50 x 12mm thk.
 WELDED WITH DOOR FRAME AND
 BONDED WITH FLOOR CONCRETE

BOLT KEEPER
 BOLTKEEPER 11.3h x 44.4w x 21.7 DEPTH x 4mm THICKNESS
 WITH 1/4-20 UCN CENTER SUNK HOLE



SECURITY SCREW
 SECURITY SCREW STAINLESS STEEL PIN TAMPER TORX SECURITY
 FLAT HEAD WITH COUNTER SUNK SIZE 1/4-20 UCN



ESCOUTHEON
 ASTM APPROVED 218 STAINLESS STEEL ESCOUTHEON 26mm
 OUTER 26mm INNER DIAMETER THICKNESS 4mm

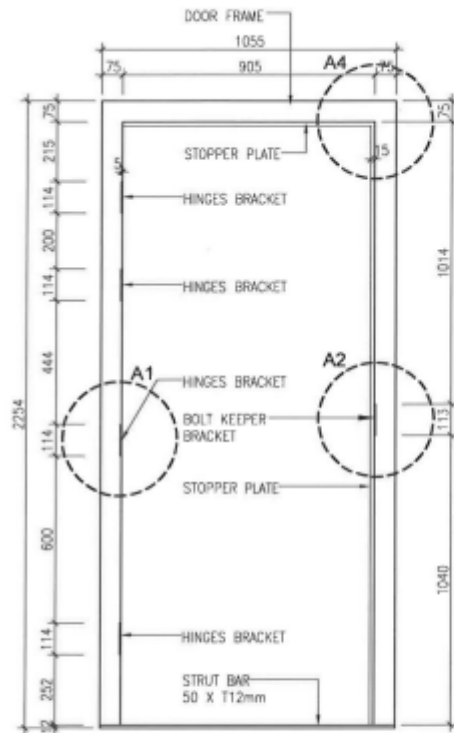


*NOTE : M.S. = MILD STEEL,
 RHS = RECTANGULAR HOLLOW SECTION,
 ALL THE MATERIALS BRING WITH MILL CERT

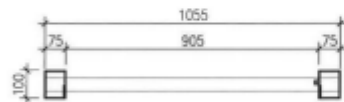


PROJEK ARCHITECTURAL NEED STATEMENT	TAJUK LURISAN PRISON PROPER DESIGN: STANDARD GENERAL ARRANGEMENT SECURITY GRILLE DOOR, PANEL & WINDOW	NO. LURISAN JKR/CA/16/146/PEL23/027/NS/3			
		PINDAAN			
		DISEDIAKAN	DIGAMBAR	SIKLA SPI TERSEKUTU	TARIKH JUN 2023

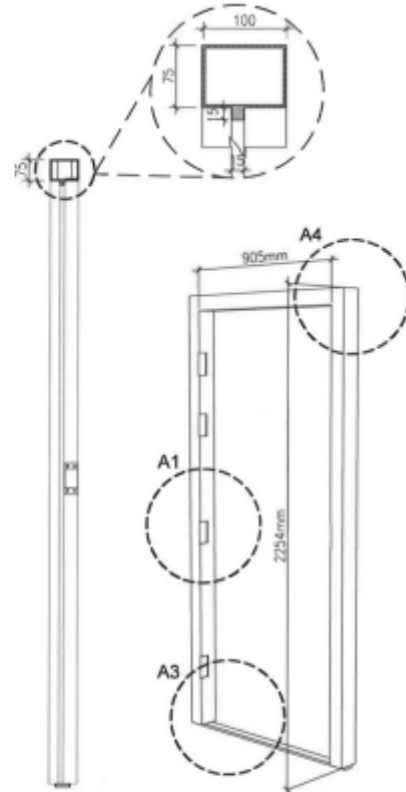
A : DOOR FRAME



FRONT VIEW
SCALE 1 : 15



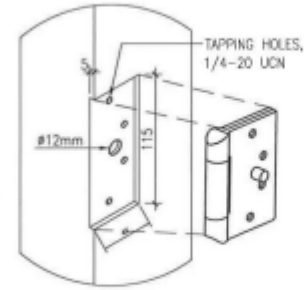
PLAN VIEW
SCALE 1 : 15



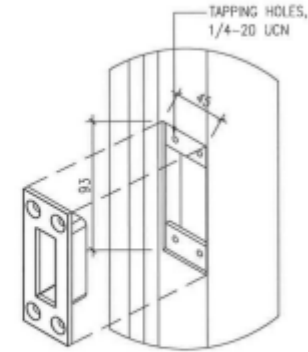
SECTION VIEW
SCALE 1 : 15

ISOMETRIC
NOT TO SCALE

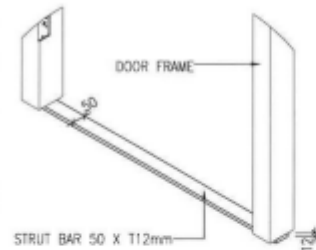
A1 HINGES BRACKET



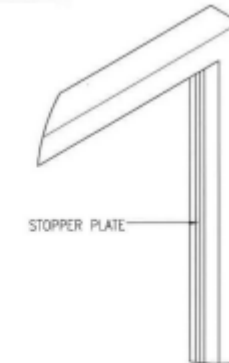
A2 BOLT KEEPER BRACKET



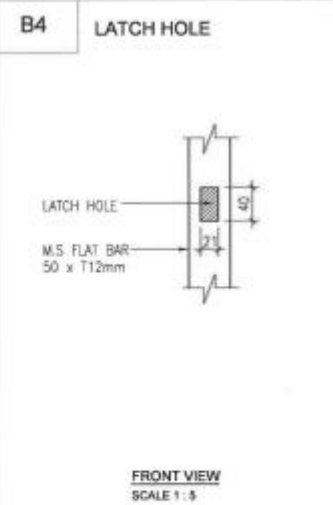
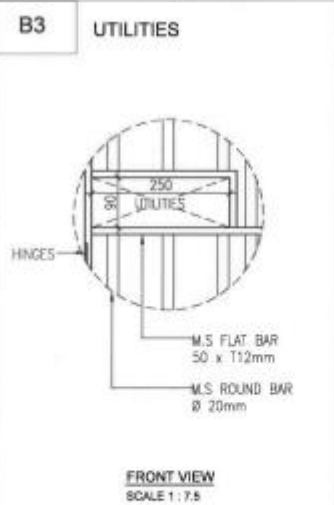
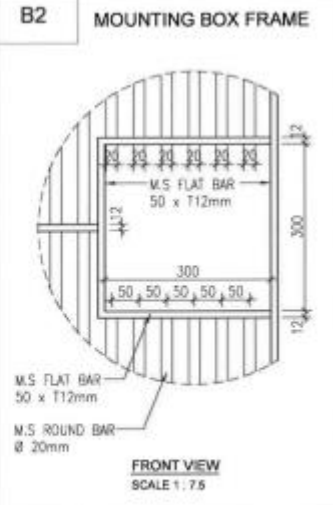
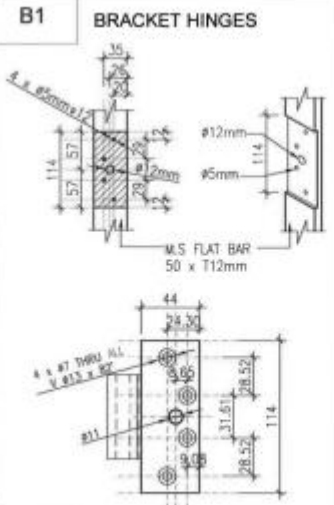
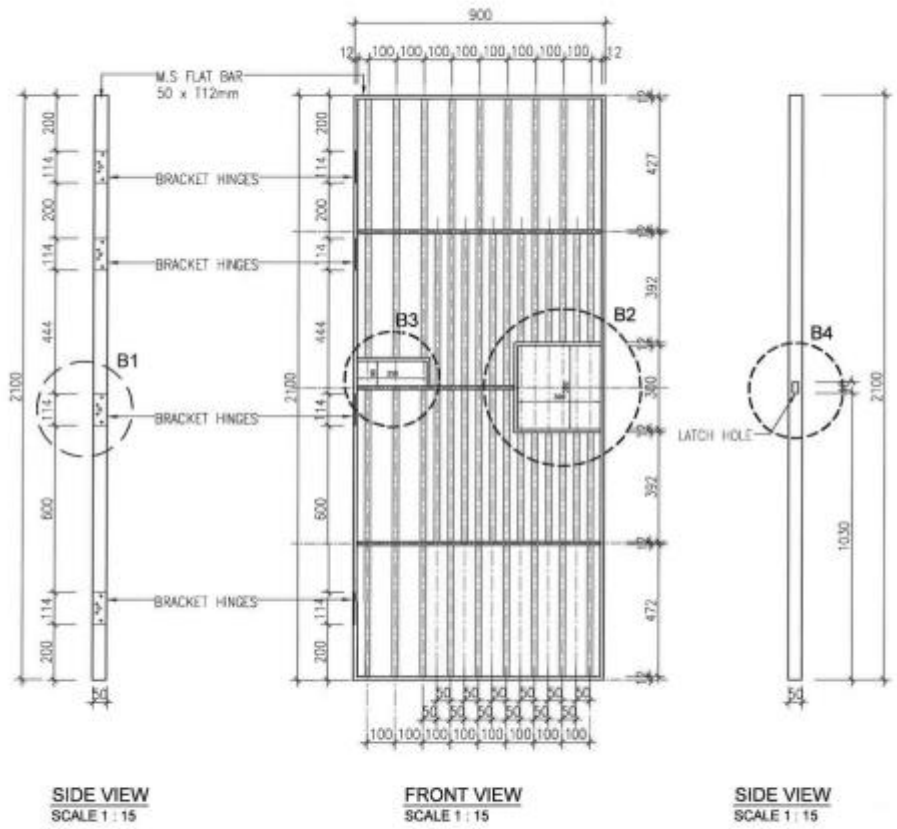
A3 STRUT BAR



A4 STOPPER PLATE



B : GRILLE DOOR



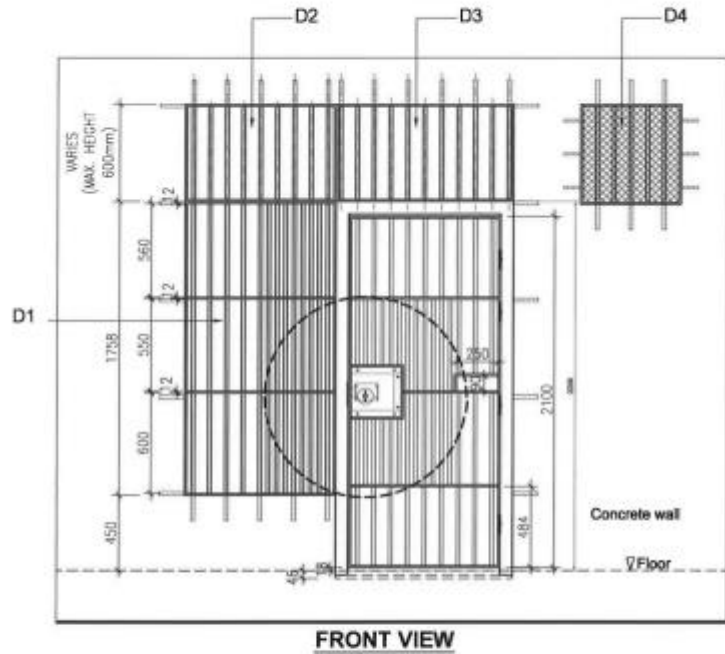
PROJEK
ARCHITECTURAL NEED STATEMENT

TAAJUK LUKISAN
**PRISON PROPER DESIGN:
STANDARD DOOR LEAF
WITH FOOD PASS
(GRILLE DOOR, SWING)**

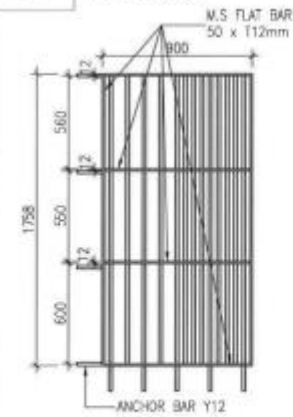
NO. LUKISAN
JKR/CA/16/146/PEL23/027/NS/5

PRIDAMAN				
OSERAWAN	OSERAWAN	SKALA SPT TERSEBUT	TARIKH JULAI 2023	

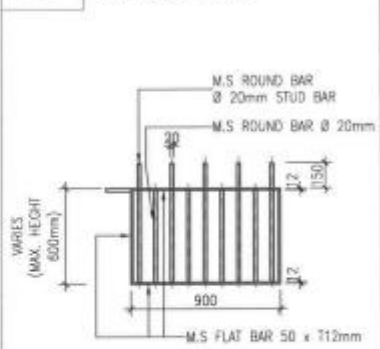
D : GRILLE DOOR & WINDOW



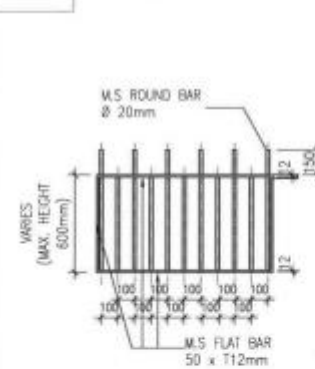
D1 SIDE PANEL



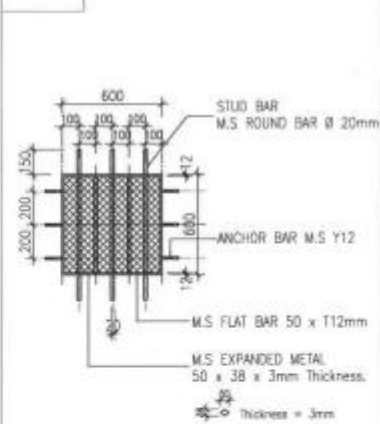
D2 TOP SIDE PANEL



D3 TOP DOOR PANEL

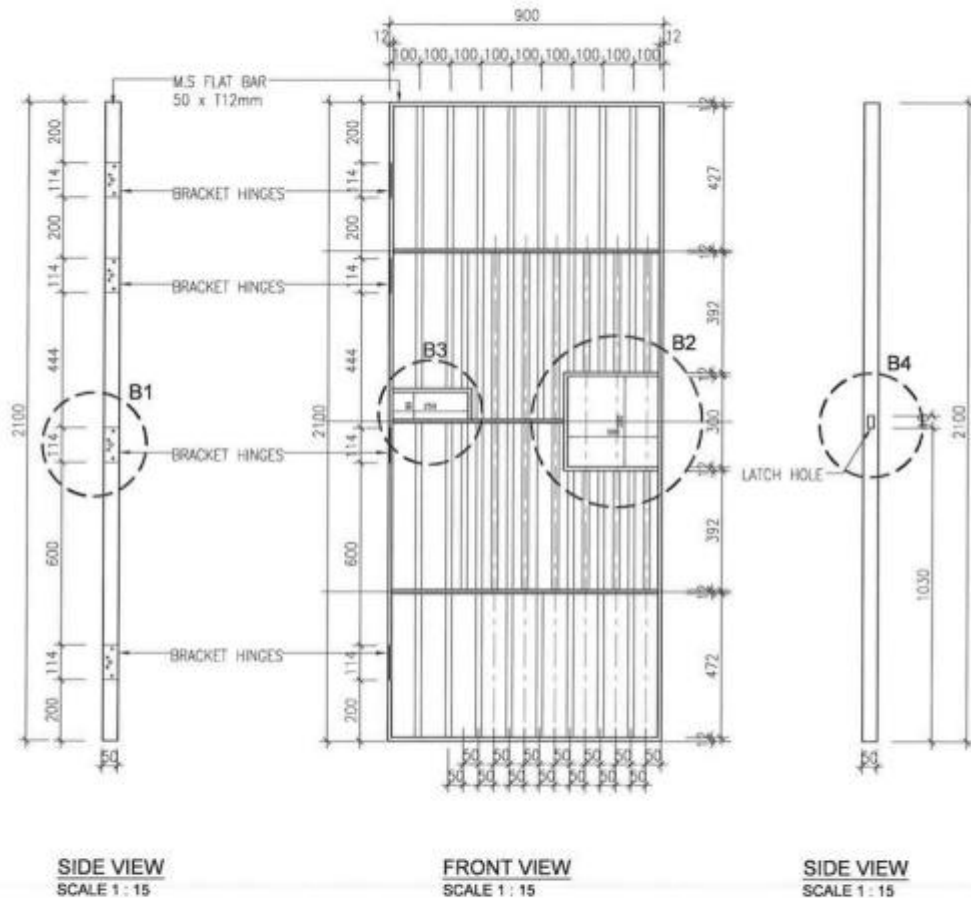


D4 WINDOW



**TENDER DRAWING
PENJARA PENOR**

A : GRILLE DOOR

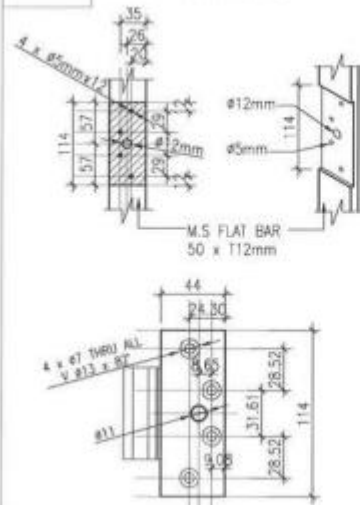


SIDE VIEW
SCALE 1 : 15

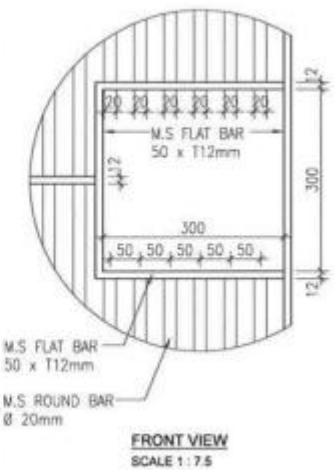
FRONT VIEW
SCALE 1 : 15

SIDE VIEW
SCALE 1 : 15

B1 BRACKET HINGES

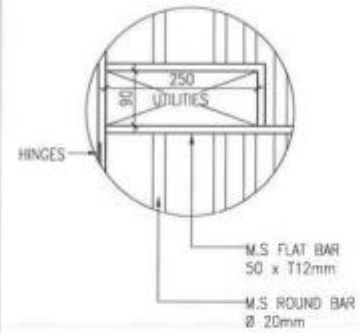


B2 MOUNTING BOX FRAME



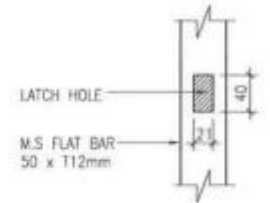
FRONT VIEW
SCALE 1 : 7.5

B3 UTILITIES



FRONT VIEW
SCALE 1 : 7.5

B4 LATCH HOLE



FRONT VIEW
SCALE 1 : 5

LUKISAN TENDER



PENGARAH KANAN
CAWANGAN ARKITEK
DATIY A. YONG RAZDAH BINTI BASHID
ARKITEK KANAN
BSB KESELAMATAN
ROHIL BIN ABD. MANAN

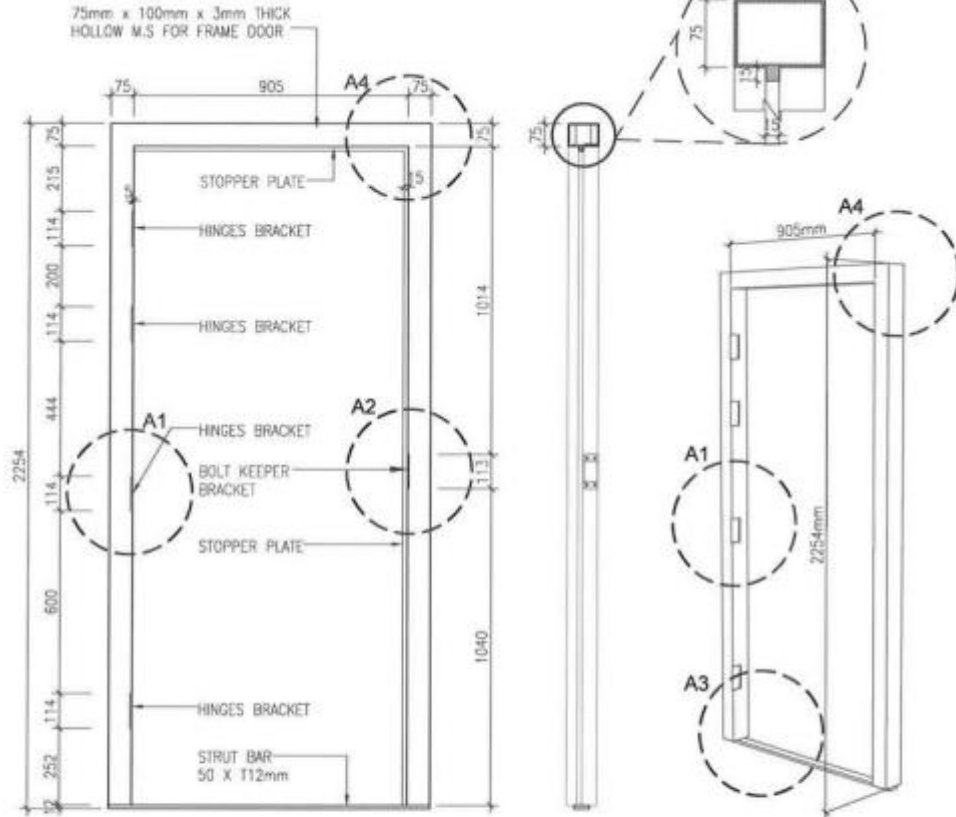
ARKITEK PENGLUSA KANAN
BSB KESELAMATAN
MURAZI BIN HAJI RAULI
ARKITEK
BSB KESELAMATAN
T. S. BISMARAN BIN ABD. RAZZAK

PROJEK
PEMBINAAN KOMPLEKS LATIHAN TENUN PAHANG DIRAJA
DI PENJARA PENOR, PAHANG.
KOMPLEKS TENUN

TAJUK LUKISAN
BUTIRAN TIPIKAL
PINTU JERJI

NO. LUKISAN
JKR/CA/16/146/C23/007/KLT/JP/4
PINDAM
DILUKIS ZULHUMI
DISEWAK HASLINA
SKALA 1:25
TARIKH SEPT 2023

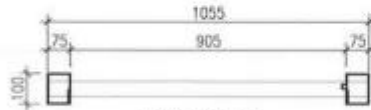
C : DOOR FRAME



FRONT VIEW
SCALE 1 : 15

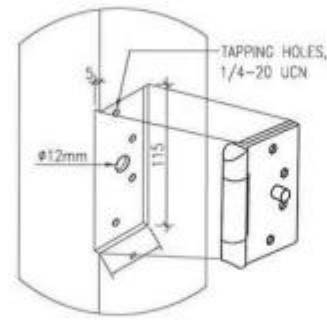
SECTION VIEW
SCALE 1 : 15

ISOMETRIC
NOT TO SCALE

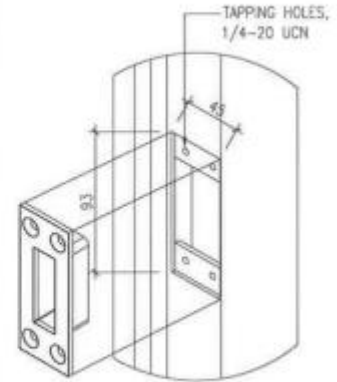


PLAN VIEW
SCALE 1 : 15

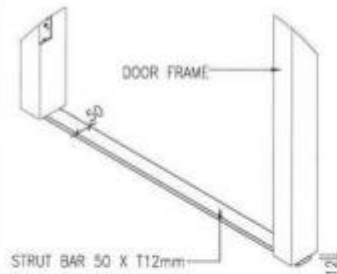
A1 HINGES BRACKET



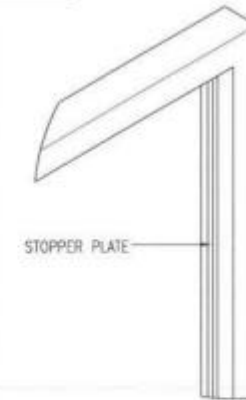
A2 BOLT KEEPER BRACKET



A3 STRUT BAR



A4 STOPPER PLATE



LUKISAN TENDER



PENGARAH KANAN
CAWANGAN ARKITEK
DATIN A. YONG NAZDAH BINTI BASHID
ARKITEK KANAN
BSB KESELAMATAN
ROHIL BIN ABD. MANAN

ARKITEK PENGAJAS KANAN
BSB KESELAMATAN
NORSAZM BIN HAJI RAZLI
ARKITEK
BSB KESELAMATAN
T. BERNANAN BIN ABD. RAZAF

PROJEK
PEMBINAAN KOMPLEKS LATIHAN TENUN PAHANG DIRAJA
DI PENJARA PENOR, PAHANG.
KOMPLEKS TENUN

TAJUK LUKISAN
BUTIRAN TIPIKAL
PINTU JERUJ

NO. LUKISAN
JKR/CA/16/146/C23/007/KLT/JP/6
PINDAAN
DILAKS
ZULHILM
DISEWAJ
HASLINA
SKALA
1:25
TARIKH
SEPT 2023

**TENDER DRAWING
AADK SEBERANG PERAI**

GRILLE DOOR, GRILLE PANEL & GRILLE WINDOW
 RECOMMENDED USE FOR PRISON CELL DOOR, JAIL CELL DOOR, PATH AWAY DOOR.

M/S FLAT BAR 50 x 112mm WITH MILL CERT.

HINGES

SECURITY DETENTION HINGES STAINLESS
 STEEL US320 SIZE 4-1/2" x 4-1/2" x 3/4" x 6"
 WITH INTEGRAL SECURITY STUD WITH ASTM F1158-96
 CERTIFIED IMPACT TEST GRADE 1



SECURITY STUD

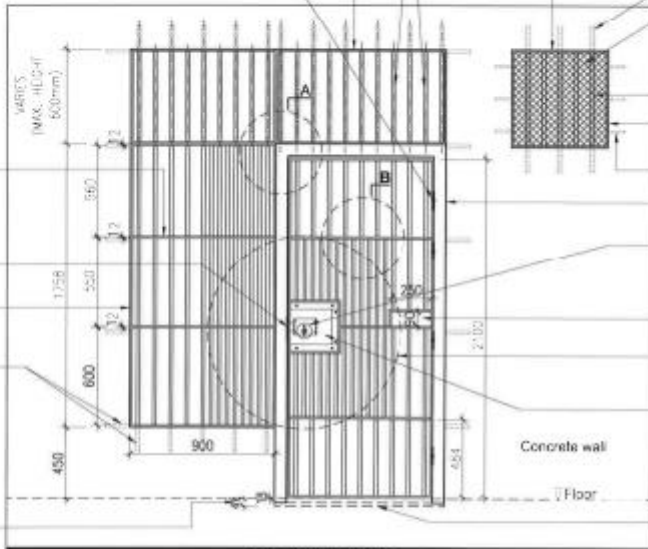
M/S FLAT BAR 50 x 12mm thk

STAINLESS STEEL BOLT KEEPER

M/S FLAT BAR 50 x 12mm thk

STUD BAR M/S ROUND BAR Ø 20mm

DEPTH FRAME FROM FLOOR



M/S ROUND BAR Ø 20mm

SECURITY GRILLE WINDOW

M/S FLAT BAR 50 x 112mm
 WITH MILL CERT

STUD BAR M/S ROUND BAR Ø 20mm

M/S EXPANDED METAL
 50 x 38 x 3mm Thickness

M/S ROUND BAR Ø 20mm

M/S FLAT BAR 50 x 112mm

ANCHOR BAR M/S Y12

M/S RHS 75 x 100 x 3mm thk
 WITH MILL CERT

ASTM INTERNATIONAL
 ASTM 15/77 PARACENTRIC
 CYLINDER TEST 1000,000 CYCLES
 DETENTION LOCKSET

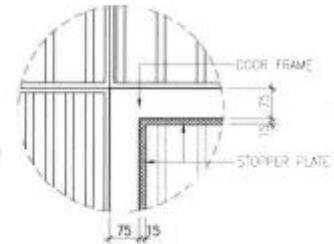
UTILITIES HOLE

SAFETY RADIUS 600mm

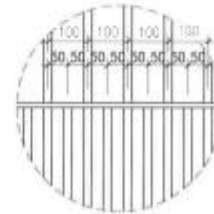
M/S PLATE thk 5mm and 3mm
 BEND BOX WITH ESCUTHEON
 ASTM 15/77 IMPACT TEST IMPACTS:
 80 POUNDS FOR 24-HOUR
 SECURITY GRADE LEVEL 1

SECURITY STUD BAR

M/S FLAT BAR 50 x 12mm thk,
 WELDED WITH DOOR FRAME AND
 BONDED WITH FLOOR CONCRETE



DETAIL - A
 SCALE 1:10



DETAIL - B
 SCALE 1:10

BOLT KEEPER

BOLTKEEPER 113h x 44.4w x 21.7 DEPTH x 4mm THICKNESS
 WITH 1/4"-20 UN CENTER SUNK HOLE.



SECURITY SCREW

SECURITY SCREW STAINLESS STEEL PIN TAMPER TORX SECURITY
 FLAT HEAD WITH COUNTER SUNK SIZE 1/4"-20 UN



ESCUTHEON

ASTM APPROVED 218 STAINLESS STEEL ESCUTHEON 76mm
 OUTER 26mm INNER DIAMETER THICKNESS 4mm



NOTE: M/S & METAL STEEL
 HAS BEEN QUALIFIED AND TESTED
 AS PER MATERIALS GRANT WITH MILL CERT.



PENDAHAYA PERUSAHAAN
 DR. HJ. SHARINA BTAN BINTI ABDELILAH
 ANITEK KAWAS TERKINI
 SHAH ZAMMAN BAHARUDIN

ARKITEK PENYUSUN KAWAS BERAS
 NORAZMI BIN HAJI BAZI
 ANITEK BERKIN
 KHARIE ADAY BIN SADE

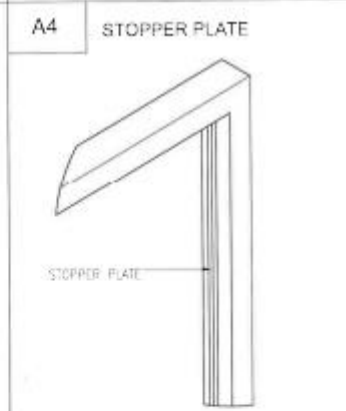
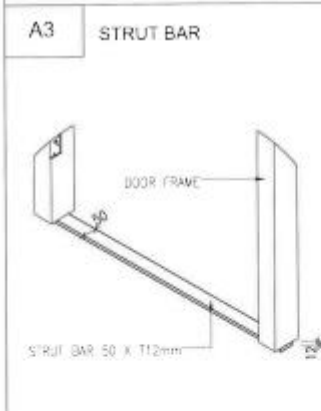
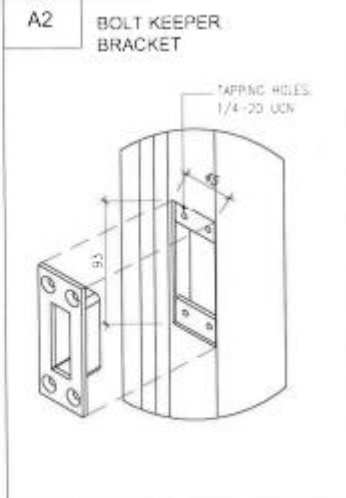
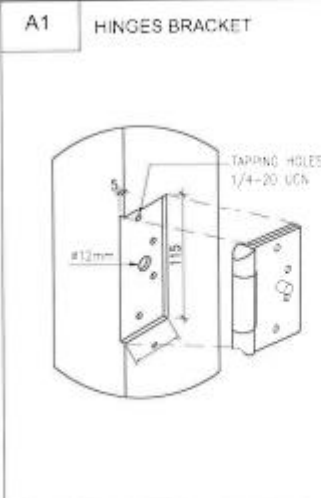
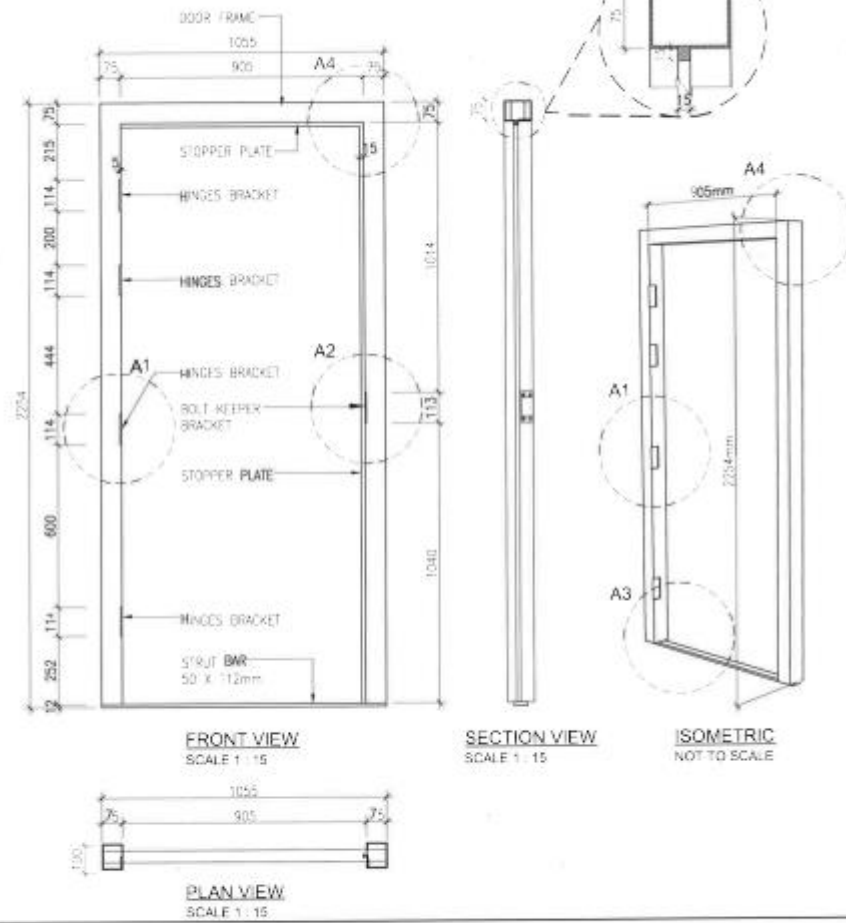
PROJEK
ARCHITECTURAL NEED STATEMENT

TAJUK PROJEK 1
**PRISON PROPER DESIGN:
 STANDARD GENERAL ARRANGEMENT SECURITY
 GRILLE DOOR, PANEL & WINDOW**

DILUKIS DESAIN TARIKH SKALA
 LUKMAN MMT 0608 2023 SPT TERPURA

NO. LUKMAN
 JKR / CA / 16 / 146 / P23 / 015 / LKP / 6

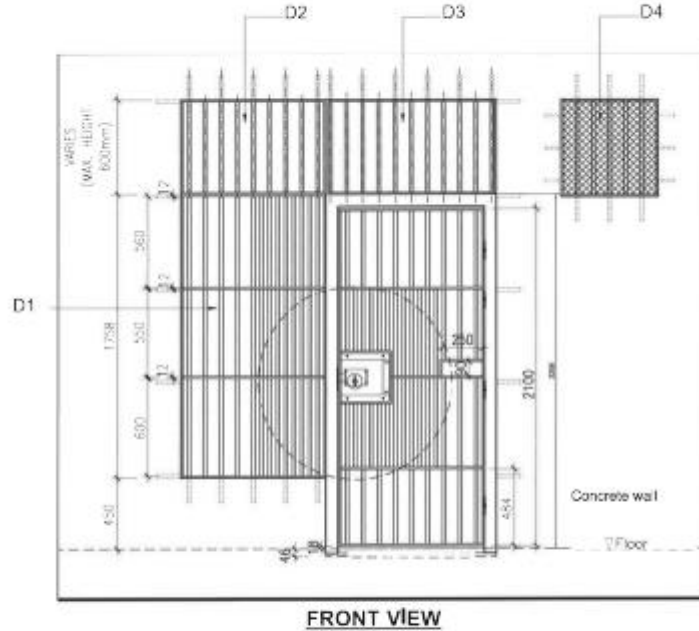
A : DOOR FRAME



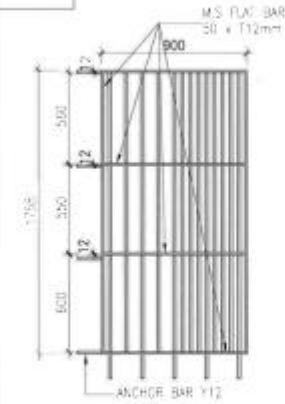
LUKISAN TENDER

<p>CAWANGAN ARKITER JABATAN KERJA RAYA MALAYSIA</p>	<p>INSYENIR BILA BENTUK</p> <p>AL HAJI SHARIFA NINAN ENTI ABDULLAH ARKITEK KAWAN BERSIK</p> <p>SHAH ZAMRI SAHARUDIN</p>	<p>ARKITEK PENGLUSA KAWAN BERSIK</p> <p>MURAZMI BIN HAJI RAZI ARKITEK BERSIK</p> <p>KHARUL AZAT BIN SABRI</p>	<p>PROJEK</p> <p>ARCHITECTURAL NEED STATEMENT</p>	<p>TAJUK LUKISAN 1</p> <p>PRISON PROPER DESIGN: DOOR FRAME (GRILLE DOOR SWING)</p> <p>BUKUS: DESAIN: TARIKH: SKALA: PINDAHS:</p> <p>LIYAMA MATT 0605 2023 SPT TUN'UWA</p>	<p>NO LUKISAN</p> <p>JKR / CA / 16 / 146 / P23 / 015 / LKP / 7</p>
	<p>AWARAN: 100%</p>				

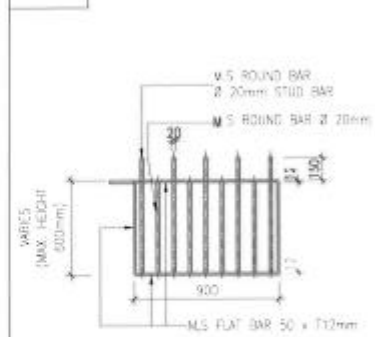
D : GRILLE DOOR & WINDOW



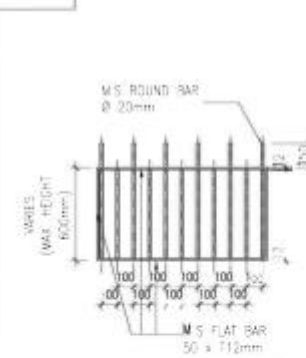
D1 SIDE PANEL



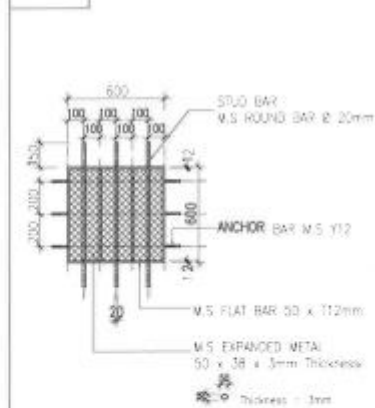
D2 TOP SIDE PANEL



D3 TOP DOOR PANEL



D4 WINDOW

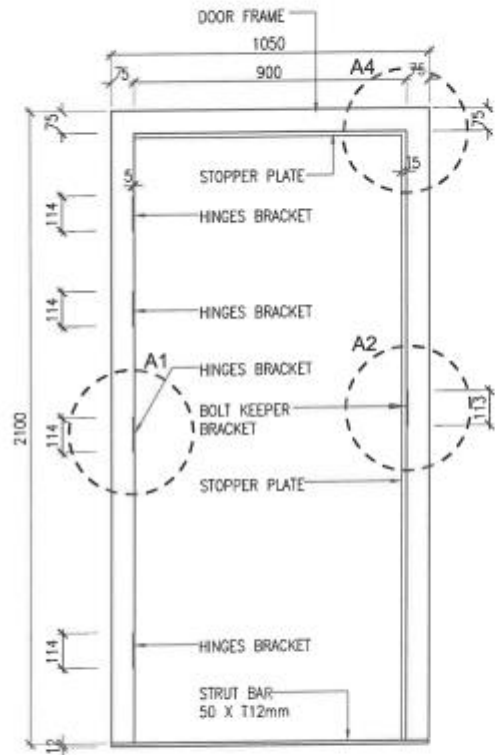


LUKISAN TENDER

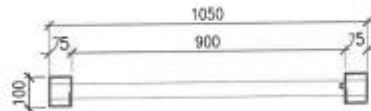
 CAWANGAN ARKITEK JABATAN PERUSAHAAN MALAYSIA	NO. SKRIPSI: 15/01/2023 A. H. H. SHERINA INTAN BINTI ABU BAKAR ARKITEK KAWAL BERSAMA	NO. SKRIPSI: 15/01/2023 NORAZMI BINTI HAJI RAZI ARKITEK BERSAMA	PROJEK ARCHITECTURAL NEED STATEMENT	NO. LUKISAN T PRISON PROPER DESIGN GRILLE PANEL & WINDOW (GRILLE DOOR, SWING)	NO. LUKISAN JKR / CA / 16 / 146 / P23 / 015 / LKPT / 10
	SHAH ZAMRI BIN SHARUDIN	KHARIDUN BIN GABRI	LUKISAN DISEMUK 14/01/2023	TAPAK 14/01/2023	DITAMBAH 14/01/2023

TENDER DRAWING
BALAI POLIS RANTAU PANJANG

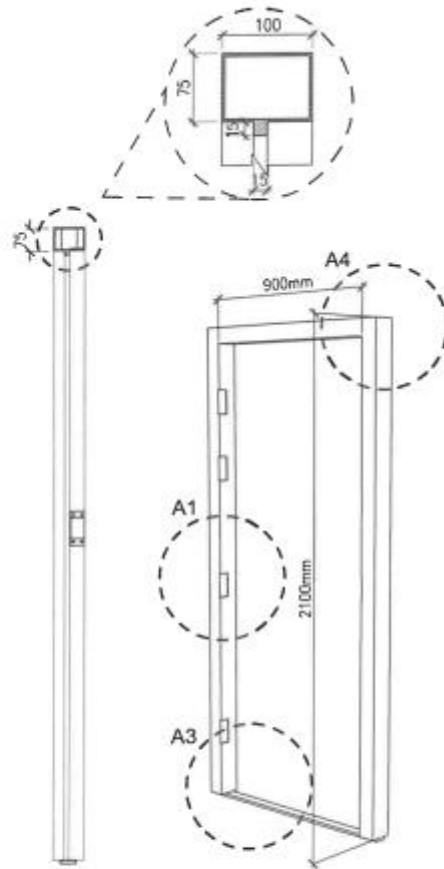
A : DOOR FRAME



FRONT VIEW
SCALE 1 : 15



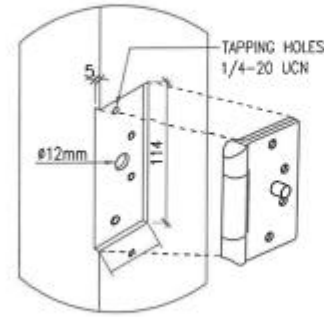
PLAN VIEW
SCALE 1 : 15



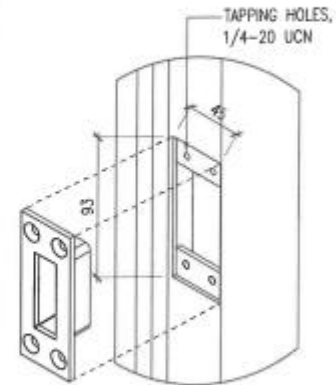
SECTION VIEW
SCALE 1 : 15

ISOMETRIC
NOT TO SCALE

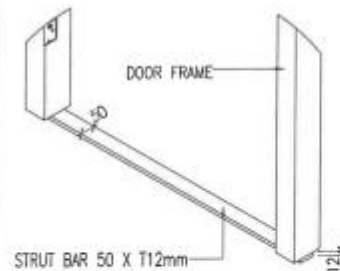
A1 HINGES BRACKET



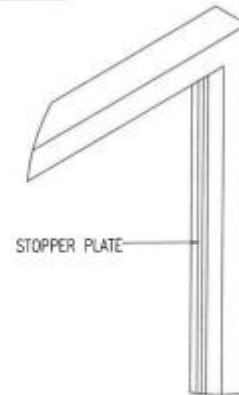
A2 BOLT KEEPER BRACKET



A3 STRUT BAR



A4 STOPPER PLATE



PENGARAH REKA BENTUK
CAMBANGAN ARKITEK
M. ZUHARI BIN MAMF
ARKITEK KANAN
BSB KESELAMATAN

ARKITEK PENGUASA KANAN
BSB KESELAMATAN
SORACHI BIN HAJI EKZLI
ARKITEK
BSB KESELAMATAN

PROJEK

PEMBINAAN BALAI POLIS RANTAU PANJANG,
KELANTAN

BALAI POLIS

TARIKH LUKISAN

BUTIRAN BINGKAI PINTU
JERUJI

LUKISAN TENDER

NO. LUKISAN

JKR/CA/16/146/D24/055/B1/JP/6

PINDAAN

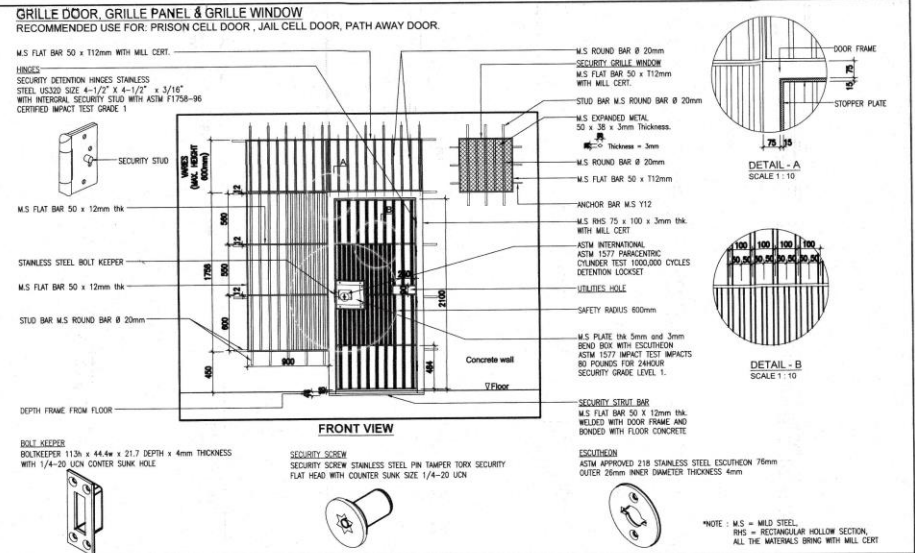
DILUKIS
SULZMAN

DISEMAK
HASLINA

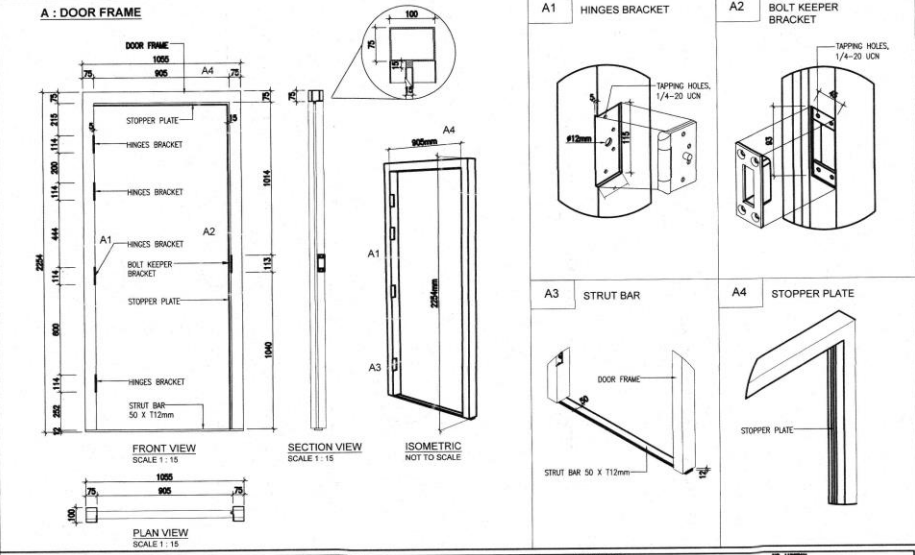
SKALA

TARIKH
MEL 2023

**TENDER DRAWING
AADK JOHOR BAHRU**



<p>CARANGAN ARKITEK JABATAN KERJA RAYA MALAYSIA</p>	<p>PERANCANGAN REKA BINA</p> <p>A/1: H.H. SHAHINA INTAN BINTI ABDULLAH A/2: H.H. SHARIFAH BINTI ABDULLAH A/3: H.H. SHARIFAH BINTI ABDULLAH A/4: H.H. SHARIFAH BINTI ABDULLAH</p>	<p>PERANCANGAN REKA BINA</p> <p>MORAZINI BIN HALI RAZALI MORAZINI BIN HALI RAZALI MORAZINI BIN HALI RAZALI MORAZINI BIN HALI RAZALI</p>	<p>PRIMEK</p> <p>MOHAMMAD ADAT BIN SABRI MOHAMMAD ADAT BIN SABRI MOHAMMAD ADAT BIN SABRI MOHAMMAD ADAT BIN SABRI</p>	<p>TAJUK LUKISAN 1</p> <p>PRISON PROPER DESIGN: STANDARD GENERAL ARRANGEMENT SECURITY GRILLE DOOR, PANEL & WINDOW</p> <p>OLAHKAN: LUYANA, MITT, OZGUS 2023, SPT TERBUKA</p>	<p>NO. LUKISAN</p> <p>JKR / CA / 18 / 146 / P23 / 015 / LKP / 8</p> <p>PROJEK</p>
	ARCHITECTURAL NEED STATEMENT				

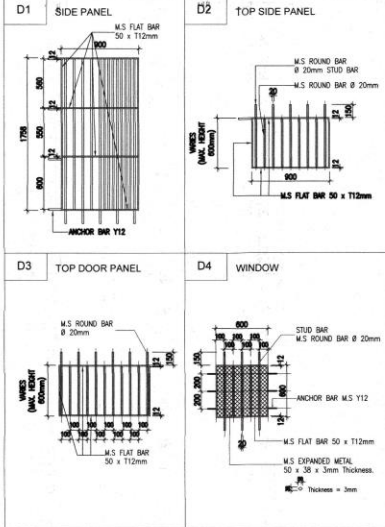
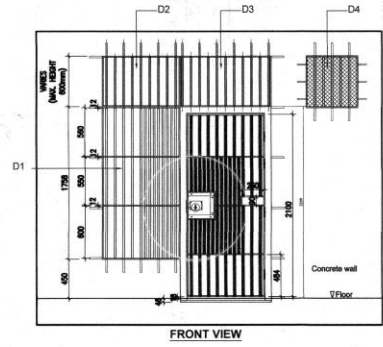


<p>CARANGAN ARKITEK JABATAN KERJA RAYA MALAYSIA</p>	<p>PERANCANGAN REKA BINA</p> <p>A/1: H.H. SHAHINA INTAN BINTI ABDULLAH A/2: H.H. SHARIFAH BINTI ABDULLAH A/3: H.H. SHARIFAH BINTI ABDULLAH A/4: H.H. SHARIFAH BINTI ABDULLAH</p>	<p>PERANCANGAN REKA BINA</p> <p>MORAZINI BIN HALI RAZALI MORAZINI BIN HALI RAZALI MORAZINI BIN HALI RAZALI MORAZINI BIN HALI RAZALI</p>	<p>PRIMEK</p> <p>MOHAMMAD ADAT BIN SABRI MOHAMMAD ADAT BIN SABRI MOHAMMAD ADAT BIN SABRI MOHAMMAD ADAT BIN SABRI</p>	<p>TAJUK LUKISAN 1</p> <p>PRISON PROPER DESIGN: DOOR FRAME (GRILLE DOOR, SWING)</p> <p>OLAHKAN: LUYANA, MITT, OZGUS 2023, SPT TERBUKA</p>	<p>NO. LUKISAN</p> <p>JKR / CA / 18 / 146 / P23 / 015 / LKP / 7</p> <p>PROJEK</p>
	ARCHITECTURAL NEED STATEMENT				

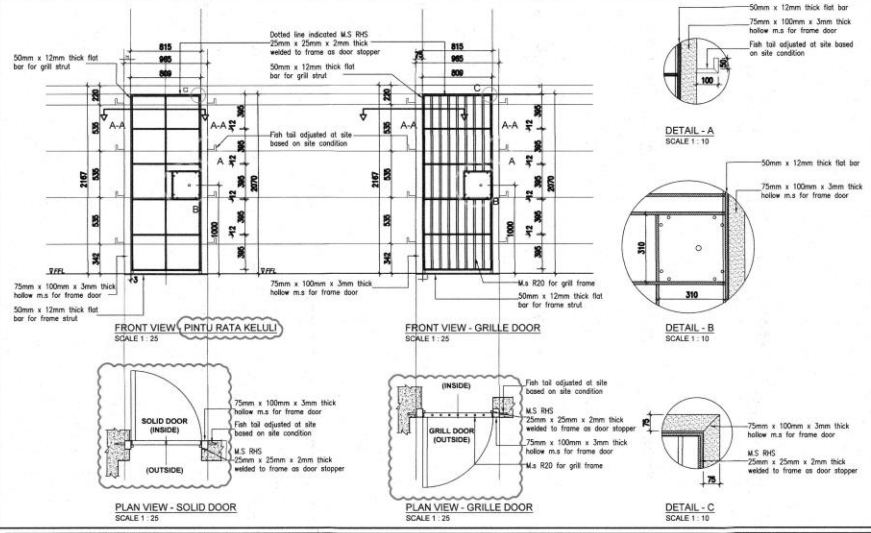
KERAJAAN MALAYSIA

PANDUAN													
NO.	PERIHAL	TARIKH	TANDA TANGGAP										
PERINCATAN													
<p>KONTAKTOR ADALAH DIPERTANGGUNGJAWABKAN UNTUK MENYERAP DAN MENUNTUNKAN KESEKIAN LUKISAN DI TAPAK BINA MENYUKAT TERHADAP YANG BERKESMUKAAN LUKISAN SEBELUM MENYERAP DAN MENYERAP KE ATAS AJUNTOR, HENDAKLAH DIMAKLUMKAN DENGAN SEGERA JIKA TERDAPAT BILANGAN PERINCATAN LUKISAN.</p> <p>SEKALU SPESIFIKAS BAHAN DAN BINAAN PADA LUKISAN INI PERLU DIKIRAKAN BERKESMUKAAN DENGAN SPT STANDARD SPECIFICATION FOR BUILDING WORKS 2017.</p>													
PELAKSIAN													
<p>KEMENTERIAN DALAM NEGERI</p> <p><i>* Bagi maklumat atau berhubung dengan apa-apa perkara berkaitan projek ini sila hubungi Kementerian Dalam Negeri.</i></p>													
PROJEK													
<p>MEROBOH DAN MEMBINA SEMULA PEJABAT ADK DAN PUSAT RAWATAN DAN PEMULIHAN DALAM KOMUNITI (RPDK) DAERAH JOHOR BAHRU, JOHOR.</p>													
TAJUK LUKISAN													
<p>ARCHITECTURAL NEED STATEMENT FOR PRISON PROPER DESIGN</p> <p>PERINCIAN TINGKAL LOKAP</p> <ul style="list-style-type: none"> STANDARD GENERAL ARRANGEMENT SECURITY GRILLE DOOR, PANEL & WINDOWS DOOR FRAME (GRILLE DOOR, SWING) 													
<p>BAHAGIAN ARKITEK IBU PEJABAT JKR JOHOR JALAN 4 BERSERIKAN 81100 KUALA BAHARU JOHOR, KOTA (SANGKAP, TRUSMI) BANDAR PUTERI, JOHOR DARUL TAQIM</p>													
PENDAPAT JKR JOHOR													
<p>A/1: ZAHAL BIN TURMAN ARKITEK PENGAJANG</p> <p>A/2: MOHD SHARIF BIN ABDUL TALEB ARKITEK</p> <p>A/3: MOHD. GABRIEL BIN DUDIN</p>													
<table border="1" style="width: 100%;"> <tr> <th>NO.</th> <th>ALAM</th> <th>DISEKUTU</th> <th>LUKISAN</th> <th>TARIKH</th> </tr> <tr> <td> </td> <td> </td> <td> </td> <td> </td> <td> </td> </tr> </table>				NO.	ALAM	DISEKUTU	LUKISAN	TARIKH					
NO.	ALAM	DISEKUTU	LUKISAN	TARIKH									
<p>NO. LUKISAN</p> <p>JKR-JA (25) 040 - 2/20</p>													
<p>STATUS LUKISAN</p> <p>CPM & KEMAH</p> <p style="text-align: center; font-size: 2em;">LUKISAN TENDER</p>													

D : GRILLE DOOR & WINDOW



<p>CARANGAN ARKITEK AGENTIAN NEGARA MALAYSIA</p>	<p>PERENCANA BINA BANGUN</p> <p>DR. HAJI SHARIFA NURAN BINTI ABDULLAH</p>	<p>PERENCANA PERLEKUKAN BINA BANGUN</p> <p>NOORUL HUDA RAJULI</p>	<p>PELAKSANA BINA BANGUN</p> <p>SHAH ZAMANI BIN SAHARUDIN</p>	<p>PELAKSANA PERLEKUKAN BINA BANGUN</p> <p>ISMAIL ADZAT BIN SARI</p>	<p>ARCHITECTURAL NEED STATEMENT</p>	<p>TAJUK LUKISAN 1</p> <p>PRISON PROPER DESIGN: GRILLE PANEL & WINDOW (GRILLE DOOR, WINDOW)</p>	<p>NO. LUKISAN</p> <p>JKR / CA / 18 / 148 / P23 / 016 / LKP / 10</p>
	<p>REVISI</p> <p>NO. / MATA / TARIKH</p>	<p>REVISI</p> <p>NO. / MATA / TARIKH</p>	<p>REVISI</p> <p>NO. / MATA / TARIKH</p>	<p>REVISI</p> <p>NO. / MATA / TARIKH</p>	<p>REVISI</p> <p>NO. / MATA / TARIKH</p>	<p>REVISI</p> <p>NO. / MATA / TARIKH</p>	<p>REVISI</p> <p>NO. / MATA / TARIKH</p>



<p>CARANGAN ARKITEK AGENTIAN NEGARA MALAYSIA</p>	<p>PERENCANA BINA BANGUN</p> <p>DR. HAJI SHARIFA NURAN BINTI ABDULLAH</p>	<p>PERENCANA PERLEKUKAN BINA BANGUN</p> <p>NOORUL HUDA RAJULI</p>	<p>PELAKSANA BINA BANGUN</p> <p>SHAH ZAMANI BIN SAHARUDIN</p>	<p>PELAKSANA PERLEKUKAN BINA BANGUN</p> <p>ISMAIL ADZAT BIN SARI</p>	<p>ARCHITECTURAL NEED STATEMENT</p>	<p>TAJUK LUKISAN 1</p> <p>PRISON PROPER DESIGN: MS GRILLE DOOR AND SOLID DOOR</p>	<p>NO. LUKISAN</p> <p>JKR / CA / 18 / 148 / P23 / 016 / LKP / 11</p>
	<p>REVISI</p> <p>NO. / MATA / TARIKH</p>	<p>REVISI</p> <p>NO. / MATA / TARIKH</p>	<p>REVISI</p> <p>NO. / MATA / TARIKH</p>	<p>REVISI</p> <p>NO. / MATA / TARIKH</p>	<p>REVISI</p> <p>NO. / MATA / TARIKH</p>	<p>REVISI</p> <p>NO. / MATA / TARIKH</p>	<p>REVISI</p> <p>NO. / MATA / TARIKH</p>

KERAJAAN MALAYSIA			
PERAGAN	NO. PERAGAN	TARIKH	TANDA TANGKAP

PERINCATAN

BERSEKUTUAN DENGAN PERSEKUTUAN MELAKSANAKAN LUKISAN BERSEKUTUAN DAN MENYEDIAKAN LUKISAN LAIN-LAIN DI TAFIR DAN MENYEDIAKAN LUKISAN YANG ADA DALAM LUKISAN TERSEBUT MELAKSANAKAN BERSEKUTUAN.

JAMINAN: MENYEDIAKAN DAN MELAKSANAKAN BERSEKUTUAN JIKA TERDAPAT SEBAGAINYA PERSEKUTUAN LUKISAN.

SEKALU TERDAPAT BAHAN DAN BAHAN PADA LUKISAN INI PERLU DIKAWAT BERTERANGI DENGAN JAMINAN BERSEKUTUAN PERSEKUTUAN BERSEKUTUAN.



* Semua lukisan ini adalah berdasarkan dan akan diserahkan kepada pengawal di atas setiap lukisan untuk catangan berseKUTUAN.

PRELEK

MEROBOH DAN MEMBINA SEMULA PEJABAT AADK DAN PUSAT RAWATAN DAN PEMULIHAN DALAM KOMUNITI (RPDK) DAERAH JOHOR BAHRU, JOHOR.

TAJUK LUKISAN

ARCHITECTURAL NEED STATEMENT FOR PRISON PROPER DESIGN

PERINCINAN TIPKAL LOKAP:
GRILLE PANEL & WINDOWS
(GRILLE DOOR, WINDOW)
MS GRILLE DOOR & SOLID DOOR

<p>CARANGAN ARKITEK AGENTIAN NEGARA MALAYSIA</p>	<p>PERENCANA BINA BANGUN</p> <p>DR. HAJI SHARIFA NURAN BINTI ABDULLAH</p>	<p>PERENCANA PERLEKUKAN BINA BANGUN</p> <p>NOORUL HUDA RAJULI</p>	<p>PELAKSANA BINA BANGUN</p> <p>SHAH ZAMANI BIN SAHARUDIN</p>	<p>PELAKSANA PERLEKUKAN BINA BANGUN</p> <p>ISMAIL ADZAT BIN SARI</p>	<p>ARCHITECTURAL NEED STATEMENT</p>	<p>TAJUK LUKISAN 1</p> <p>PRISON PROPER DESIGN: MS GRILLE DOOR AND SOLID DOOR</p>	<p>NO. LUKISAN</p> <p>JKR / CA / 18 / 148 / P23 / 016 / LKP / 11</p>
	<p>REVISI</p> <p>NO. / MATA / TARIKH</p>	<p>REVISI</p> <p>NO. / MATA / TARIKH</p>	<p>REVISI</p> <p>NO. / MATA / TARIKH</p>	<p>REVISI</p> <p>NO. / MATA / TARIKH</p>	<p>REVISI</p> <p>NO. / MATA / TARIKH</p>	<p>REVISI</p> <p>NO. / MATA / TARIKH</p>	<p>REVISI</p> <p>NO. / MATA / TARIKH</p>

PERENCANA BINA BANGUN

DR. HAJI SHARIFA NURAN BINTI ABDULLAH

PERENCANA PERLEKUKAN BINA BANGUN

NOORUL HUDA RAJULI

PELAKSANA BINA BANGUN

SHAH ZAMANI BIN SAHARUDIN

PELAKSANA PERLEKUKAN BINA BANGUN

ISMAIL ADZAT BIN SARI

DAFTAR	DISYAHKAN	UKURAN	TARIKH

JKRJ-A (25) 040 - 2/22

STATUS LUKISAN

DISYAHKAN

LUKISAN TENDER

BILL OF QUANTITIES
MAHKAMAH IPOH

BILL NO. C1 - BUILDING WORKS (BLOK KOMPLEKS MAHKAMAH)

Ref.	Description	Unit	Qty	Rate [RM]	Amount [RM]
ELEMENT NO. 10 : SECURITY GRILLES, DOORS AND LOCKSETS					
<u>Security Grille</u>					
A	Supply and fix overall size 4,040mm x 2,750mm high 'Safety2U' or other equal and approved mild steel security grille comprising of mild steel flat bar 50mm x 12mm thick vertical bar, mild steel 20mm diameter solid round bar (R20@250N/mm2) horizontal bracing bar, mild steel flat bar 50mm x 12mm thick with 20-21mm punch hole at 100mm centre to centre and certain spacing area 50mm centre to centre, 100mm of grille anchor to be embedded in reinforced concrete wall (measured separately), painting, special welding, etc, all to the specialist specification and satisfaction of the S.O. (door measured separately)(Ref: GP1)	NO	6		
B	Ditto, 4,040mm x 2,750mm high 'Safety2U' or other equal and approved mild steel security grille, ditto (Ref: GP2)	NO	1		
C	Ditto, 5,040mm x 2,750mm high 'Safety2U' or other equal and approved mild steel security grille, ditto (Ref: GP3)	NO	2		
D	Ditto, 3,665mm x 2,750mm high 'Safety2U' or other equal and approved mild steel security grille, ditto (Ref: GP4)	NO	1		
E	Ditto, 3,815mm x 2,750mm high 'Safety2U' or other equal and approved mild steel security grille, ditto (Ref: GP5)	NO	1		
F	Ditto, 2,865mm x 2,750mm high 'Safety2U' or other equal and approved mild steel security grille, ditto (Ref: GP6)	NO	1		
G	Ditto, 2,765mm x 2,750mm high 'Safety2U' or other equal and approved mild steel security grille, ditto (Ref: GP7)	NO	1		
H	Ditto, 2,265mm x 2,750mm high 'Safety2U' or other equal and approved mild steel security grille, ditto (Ref: GP8)	NO	1		
J	Ditto, 2,000mm x 2,750mm high 'Safety2U' or other equal and approved mild steel security grille, ditto (Ref: GP9)	NO	10		
K	Ditto, 2,000mm x 2,750mm high 'Safety2U' or other equal and approved mild steel security grille, ditto(Ref: GP10)	NO	10		
Carried To Collection:					

Projek: Pembinaan Mahkamah Sesyen Dan
Majistret Baharu Ipoh, Perak

BILL NO. C1/10/1

BILL NO. C1 - BUILDING WORKS (BLOK KOMPLEKS MAHKAMAH)

Ref.	Description	Unit	Qty	Rate [RM]	Amount [RM]
ELEMENT NO. 10 : SECURITY GRILLES, DOORS AND LOCKSETS [Cont'd]					
A	Ditto, 2,815mm x 1,400mm high 'Safety2U' or other equal and approved mild steel security grille comprising of mild steel flat bar 50mm x 12mm thick vertical bar, mild steel 20mm diameter solid round bar (R20@250N/mm2) horizontal bracing bar, mild steel flat bar 50mm x 12mm thick with 20-21mm punch hole at 100mm centre to centre and certain spacing area 50mm centre to centre, 100mm of grille anchor to be embedded in reinforced concrete wall (measured separately), painting, special welding, etc, all to the specialist specification and satisfaction of the S.O. (Ref: GP11)	NO	8		
B	Ditto, 2,890mm x 1,400mm high 'Safety2U' or other equal and approved mild steel security grille, ditto (Ref: GP12)	NO	2		
C	Ditto, 3,700mm x 2,350mm high 'Safety2U' or other equal and approved mild steel security grille, ditto (Ref: GP13)	NO	1		
D	Ditto, 1,775mm x 2,750mm high 'Safety2U' or other equal and approved mild steel security grille comprising of mild steel flat bar 50mm x 12mm thick vertical bar, mild steel 20mm diameter solid round bar (R20@250N/mm2) horizontal bracing bar, mild steel flat bar 50mm x 12mm thick with 20-21mm punch hole at 100mm centre to centre and certain spacing area 50mm centre to centre, 100mm of grille anchor to be embedded in reinforced concrete wall (measured separately), painting, special welding, etc, all to the specialist specification and satisfaction of the S.O. (door measured separately)(Ref: GP13A)	NO	1		
E	Ditto, 4,200mm x 2,350mm high 'Safety2U' or other equal and approved mild steel security grille comprising of mild steel flat bar	NO	1		
Carried To Collection:					

Projek: Pembinaan Mahkamah Sesyen Dan
Majistret Baharu Ipoh, Perak

BILL NO. C1/10/2

BILL NO. C1 - BUILDING WORKS (BLOK KOMPLEKS MAHKAMAH)

Ref.	Description	Unit	Qty	Rate [RM]	Amount [RM]
ELEMENT NO.10 : SECURITY GRILLES, DOORS AND LOCKSETS [Cont'd]					
A	Ditto, 1,350mm x 2,750mm high "Safety2U" or other equal and approved mild steel security grille comprising of mild steel flat bar 50mm x 12mm thick vertical bar, mild steel 20mm diameter solid round bar (R20@250N/mm2) horizontal bracing bar, mild steel flat bar 50mm x 12mm thick with 20-21mm punch hole at 100mm centre to centre and certain spacing area 50mm centre to centre, 100mm of grille anchor to be embedded in reinforced concrete wall (measured separately), painting, special welding, etc, all to the specialist specification and satisfaction of the S.O. (door measured separately)(Ref: GP14A)	NO	1		
B	Ditto, 3,694mm x 2,750mm high "Safety2U" or other equal and approved mild steel security grille, ditto (Ref: GP15)	NO	1		
C	Ditto, 2,889mm x 2,750mm high "Safety2U" or other equal and approved mild steel security grille, ditto (Ref: GP16)	NO	1		
D	Ditto, 2,950mm x 2,750mm high "Safety2U" or other equal and approved mild steel security grille, ditto (Ref: GP17)	NO	1		
E	Ditto, 1,900mm x 3,000mm high "Safety2U" or other equal and approved mild steel security grille, ditto	NO	1		
F	Security Door Supply and fix overall size 1,000mm x 2,100mm high "Safety2U" or other equal and approved single leaf mild steel security door comprising of mild steel flat bar 50mm x 12mm thick vertical bar, mild steel 20mm diameter solid round bar (R20@250N/mm2) horizontal bracing bar, mild steel flat bar 50mm x 12mm thick with 20-21mm punch hole at 100mm centre to centre and certain spacing area 50mm centre to centre including 100mm x 75mm x 3.0mm thick mild steel square hollow section door frame, painting, special welding, etc, all to the specialist specification and satisfaction of the S.O. (Ref: GD1)	NO	37		
Carried To Collection:					

Projek: Pembinaan Mahkamah Sesyen Dan
Majistret Baharu Ipoh, Perak

BILL NO. C1/10/3

BILL NO. C1 - BUILDING WORKS (BLOK KOMPLEKS MAHKAMAH)

Ref.	Description	Unit	Qty	Rate [RM]	Amount [RM]
ELEMENT NO. 10 : SECURITY GRILLES, DOORS AND LOCKSETS [Cont'd]					
A	Ditto, (Ref: GD2)	NO	2		
B	Supply and fix overall size 2,000mm x 2,100mm high "Safety2U" or other equal and approved double leaf mild steel security door comprising of mild steel flat bar 50mm x 12mm thick vertical bar, mild steel 20mm diameter solid round bar (R20@250N/mm2) horizontal bracing bar, mild steel flat bar 50mm x 12mm thick with 20-21mm punch hole at 100mm centre to centre and certain spacing area 50mm centre to centre including 100mm x 75mm x 3.0mm thick mild steel square hollow section door frame, painting, special welding, etc, all to the specialist specification and satisfaction of the S.O. (Ref: Ruang Pengurusan OKT)	NO	1		
C	Security Grille Door Supply and fix overall size 1,000mm x 2,100mm high "Safety2U" or other equal and approved mild steel security grille door comprising of mild steel flat bar 50mm x 12mm thick vertical bar, mild steel 20mm diameter solid round bar (R20@250N/mm2) horizontal bracing bar, mild steel flat bar 50mm x 12mm thick with 20-21mm punch hole at 100mm centre to centre and certain spacing area 50mm centre to centre including 100mm x 75mm x 3.0mm thick mild steel square hollow section door frame, painting, special welding, etc, all to the specialist specification and satisfaction of the S.O.	NO	4		
D	Security Lockset Supply and install "Safety2U" or other equal and approved paracentric key ASTM high quality detention lock type with cylinders and keys cast bronze/copper alloy key size 4-3/4" x 5/32" TK weight 0.09kg, tensile strength 60,000 p.s.i and 20,000 p.s.i yield strength for rockwell hardness 73 minimum HRM, etc and all to the specialist specification and satisfaction of the S.O.	NO	132		
E	Ditto, approved 204FMS institutional hinges each hinge features cast stainless steel leaves with intergral security stud and non-removable stainless steel pin with teflon between it's leaves. Finish stainless steel US32D size 4-1/2" x 4-1/2" x 3/16", weight 0.68kg complete with ASTM F1758 certified impact test Grade 1, etc and all to the specialist specification and satisfaction of the S.O.	NO	180		
Carried To Collection:					

Projek: Pembinaan Mahkamah Sesyen Dan
Majistret Baharu Ipoh, Perak

BILL NO. C1/10/4

BILL NO. C1 - BUILDING WORKS (BLOK KOMPLEKS MAHKAMAH)

Ref.	Description	Unit	Qty	Rate [RM]	Amount [RM]
	ELEMENT NO. 10 : SECURITY GRILLES, DOORS AND LOCKSETS [Cont'd]				
A	Ditto, approved high security detention lockset 1010A2 automatic deadbolt lock size 4.4" L x 3.15" H x 1.35" TK, weight 4.5 lbs, steel lockbolt, silicon bronze/copper alloy cylinder with approved ASTM F-1577-01 (mechanical release operation cycle test, cylinder test, mechanical release force test, horizontal impact test). Certified impact test Grade 1 with double cylinder come with 470 bolt keeper and dust box comes with security fasteners screws for all, etc and all to the specialist specification and satisfaction of the S.O.	NO	9		
B	Ditto, approved high security detention lockset 1080A1 automatic deadbolt mechanical lock size 5-1/2" L x 3-7/8" H x 1-1/2" TK, weight 7 lbs and cold-rolled steel with (3) 1/4 diameter case hardened steel insert pin with approved ASTM F-1577-96 (mechanical release operation cycle test, cylinder test, mechanical release force test, horizontal impact test). Certified impact test Grade 1 with double cylinder with double cylinder. Come with 470 bolt keeper and dust box comes with security fasteners screws for all, etc and all to the specialist specification and satisfaction of the S.O.	NO	34		
C	Ditto, approved high security detention lockset 1080A2 automatic deadbolt mechanical lock size 5-1/2" L x 3-7/8" H x 1-1/2" TK, ditto	NO	1		
D	Ditto, approved high security detention ASTM 218 escutcheon size 3" diameter x .105" TK weight 2 lbs, material stainless steel come with security fasteners screws for all, etc and all to the specialist specification and satisfaction of the S.O.	NO	54		
E	Ditto, approved high security detention lockset G mounting and service plate come with mounting plate. High security detention ASTM approved mounting plate size and weight varies with application. Made with 7-gauge steel plate to be attached to door with lock size 10" H x 3-1/2" W x 1-1/2" TK. Latch bolt 1-5/8" H x 1/2" TK come with security fasteners screws for all, etc and all to the specialist specification and satisfaction of the S.O.	NO	44		
Carried To Collection:					

Projek: Pembinaan Mahkamah Sesyen Dan
Majistret Baharu Ipoh, Perak

BILL NO. C1/10/5

BILL OF QUANTITIES
PANGKALAN PERLINDUNGAN SUMBER

BILL C10 INTERNAL DOORS

Item	Description	Unit	Quantity	Rate(RM)	Amount(RM)
	BILL C10 : INTERNAL DOORS (CONT'D)				
	<u>Approved galvanised metal door frame as specified including all necessary welding, fixing, screws, hinges and ironmongery and painting works; all as per manufacturer's details and subject to Architect's approval</u>				
A	Overall size 900mm x 2100mm high (Type P1, P2)	NO	14		
B	Overall size 900mm x 2550mm high (Type P1A)	NO	2		
C	Overall size 500mm x 2100mm high (Type P5)	NO	2		
D	Overall size 700mm x 2100mm high (Type P6)	NO	6		
	<u>Approved monolithic steel plate door Safety2U Security Door or approved equivalent with iron grille door Safety2U Security Door or approved equivalent complete with Southern Steel High Security Detension Lockset 1010A Mechanical Deadlock with Mounting Box; all including 100mm x 100mm x 6mm thick monolithic frame, welding, fixing, screws, stainless steel special hinges, ironmongery and paint with Nippon PU Recoatable Finish Gloss Finish two-pack aliphatic acrylic polyurethane or equivalent as specified, all as per manufacturer's instruction and subject to Architect approval; as per details drawing no. JKR/CKIP/A/K/MA02/002/KK01 - JKR/CKIP/A/K/MA02/002/KK02</u>				
E	Overall size 1000mm x 2100mm high (Type P3)	NO	2		
	<u>Approved two (2) hour fire rated door with metal frame assembling, fixing with screws including all necessary ironmongery and painting works as specified to manufacturer's details and subject to Architect's approval</u>				
F	Overall size 1000mm x 2100mm high door in single leaf (Type PR1)	NO	4		
G	Overall size 1800mm x 2100mm high door in double leaves (Type PR2)	NO	1		
H	Overall size 900mm x 2100mm high door in single leaf (Type PR3)	NO	4		

TENDER
KOMPLEKS PENJARA SUNGAI UDANG

4	SISTEM RANGKAIAN	
4.1	Core Switch	
4.2	24 Ports Network Switch	
4.3	8 Ports Network Switch	
JUMLAH HARGA PENYELENGGARAAN		
5	FENCE INTRUSION DETECTION SYSTEM	
5.1	Melakukan kerja-kerja penyelenggaraan pada FIDS termasuk Software, Fiber Sensor, Processor Termination Box dan kefungsian pada kad Network Card	
JUMLAH HARGA - PENYELENGGARAAN FENCE		
6	GUARD TOUR SYSTEM (GTS)	
6.1	GTS Workstation Includes Software	
JUMLAH HARGA PENYELENGGARAAN		
7	SISTEM INTERKOM DAN SIARAYA	
7.1	JACQUES Intercom Software For JACQUES Server	
7.2	Intercom Workstation	
JUMLAH HARGA PENYELENGGARAAN		
8	MOTORISED GATE	
8.1	Motorized Gate (Pintu Besar)	
8.2	Bearing Pintu Bermotor 5.0 HP	
8.3	Roda (Roller) Bearing	
8.4	Belt/ing/ranta/pulley Motor untuk menarik bebanan sehingga kekuatan 5000kg Pintu Utama	
8.5	Sliding Gate (Sally Port)	
8.6	Rail Bergerigi	
JUMLAH HARGA PENYELENGGARAAN		
9	ACCESS CONTROL SYSTEM	
9.1	Magnetic For Cell Door & Accessories	
JUMLAH HARGA PENYELENGGARAAN		
10	ELECTRONIC MECHANICAL LOCK (EML) SYSTEM	
10.1	Electromechanical Lock with Door Inspection and routine maintenance using approved Southern Steel, Folger or Safety2u Lubricants	
JUMLAH HARGA PENYELENGGARAAN ELECTRONIC MECHANICAL LOCK (EML) SYSTEM		

10.2	Smart card reader Online - HID R10 or Equivalent	
10.3	Reader Biometrik Diester Electronic - HID or Equivalent	
10.4	Magnetic For Cell Door & Accessories (Equivalent)	
10.5	Break Glass (Equivalent)	
10.6	Override Key (Equivalent)	
JUMLAH HARGA -		
11 ELECTRONIC MECHANICAL LOCK (EML)		
11.1	Electromechanical Lock (Complete Set) - Model HSM or Equivalent	
11.2	Repair by replacing or modifying 10120AM Southern Steel or Folger Adam or Safety2u Roller Bolt Lock Bolt, 10120AM BSHG 5/16 Dead Cam Guide & Striker Plate c/w lock test latch picking manipulation	
11.3	ASSA Mogul Cylinder c/w Mogul Cut Key Southern Steel or Folger Adam or Safety2u B39 10120A US26D (Equivalent)	
11.4	200MRS Magnetic Switch Southern Steel or Folger Adam or Safety2u Triple Bias Switch excluded wiring (Equivalent)	
11.5	Repair Kit Set LK Roller Bolt Spring, Lock Bolt Spring, RH Deadcam Spring, LH Deadcam Spring, RH Cam Spring, LH Cam Spring, Formed Deadlock Switch, 24VDC Motor, Micro SW V7-181708-207	